

## Techtop Industries Nameplate and Performance Data

NAMEPLATE DATA		
	60 Hz.	50 Hz.
<b>Horsepower</b>	1.0	1.0
<b>Frame Size</b>	80	
<b>Speed, RPM</b>	1710	-
<b>Voltage</b>	3 Phase US (575V)	
<b># Phase</b>	3	
<b>Full Load Amps</b>	1.36	-
<b>Power Factor</b>	0.72	-
<b>Nominal Efficiency</b>	77.0	-
<b>3/4 Load Efficiency</b>	-	-
<b>Service Factor</b>	1.15	1.0
<b>Duty</b>	Cont. / S1	
<b>FL Temp Rise °C</b>	-	-
<b>Enclosure</b>	TEFC	
<b>Ambient Temp °C</b>	40	
<b>KVA Code</b>	J	-
<b>FL Amps. @ 208 V</b>	-	-
<b>Insulation Class</b>	F	
<b>NEMA Design</b>	-	
<b>Weight</b>	22.0	
<b>DE Bearing</b>	6204ZZ	
<b>NDE Bearing</b>	6204ZZ	
<b>dB No-Load</b>	-	
<b>Rotor Wk<sup>2</sup>, Lb-Ft<sup>2</sup></b>	-	
<b>Start Capacitor</b>	-	
<b>Start Capacitor V</b>	-	
<b>Run Capacitor</b>	-	
<b>Run Capacitor V</b>	-	
<b>Number of Leads</b>	6	
<b>Connection</b>	Y	
<b>Coil Resistance</b>	-	

<b>Motor Model:</b>	<b>BL3-AL-TF-80B3-4-B-F-1</b>
---------------------	-------------------------------

Performance Load Values:

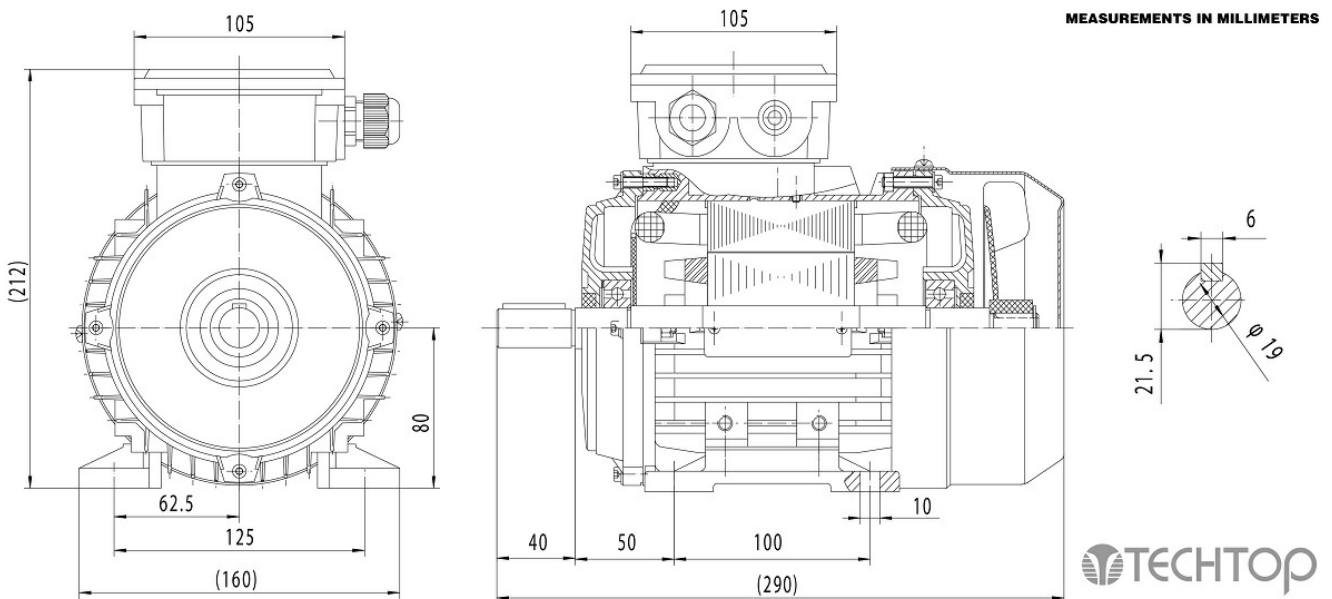
% Load	Horsepower	Current, Amps	Input power, Kilowatts	Speed, RPM	Efficiency	PF
0	-	-	-	-	-	-
25	-	-	-	-	-	-
50	-	-	-	-	-	-
75	-	-	-	-	-	-
100	-	-	-	-	-	-
125	-	-	-	-	-	-
150	-	-	-	-	-	-
SF	-	-	-	-	-	-

	Torque, Lb-Ft	% Full Load Torque	Speed, RPM	Current Amps.
Locked Rotor Torque	-	-	-	-
Pull Up Torque	-	-	-	-
Breakdown Torque	-	-	-	-
Full Load	-	-	-	-

### Speed Torque Curve

Please contact Techtop for image.

### Dimensional Drawing



Dimensions are for reference only. Allowance should be made for minor deviations in non standard specified properties.

3D Image Link: Not available for this motor

