

NAMEPLATE DATA		
	60 Hz.	50 Hz.
Horsepower	20.0	-
Frame Size	256TC	
Speed, RPM	1760	1450
Voltage	3 Phase US	380
# Phase	3	
Full Load Amps	23.5	-
Power Factor	0.83	-
Nominal Efficiency	93.0	-
3/4 Load Efficiency	-	-
Service Factor	1.25	1.0
Duty	Cont. / S1	
FL Temp Rise °C	63.0	90.0
Enclosure	TEFC	
Ambient Temp °C	40	
KVA Code	G	F
FL Amps. @ 208 V	-	-
Insulation Class	F	
NEMA Design	B	
Weight	315.0	
DE Bearing	6309C3	
NDE Bearing	6309C3	
dB No-Load	73.0	
Rotor Wk ² , Lb-Ft ²	0.11725	
Start Capacitor	-	
Start Capacitor V	-	
Run Capacitor	-	
Run Capacitor V	-	
Number of Leads	6	
Connection	?	
Coil Resistance	-	

Motor Model:	BR3-CI-TF-256TC-4-BR-E-20
---------------------	----------------------------------

Performance Load Values:

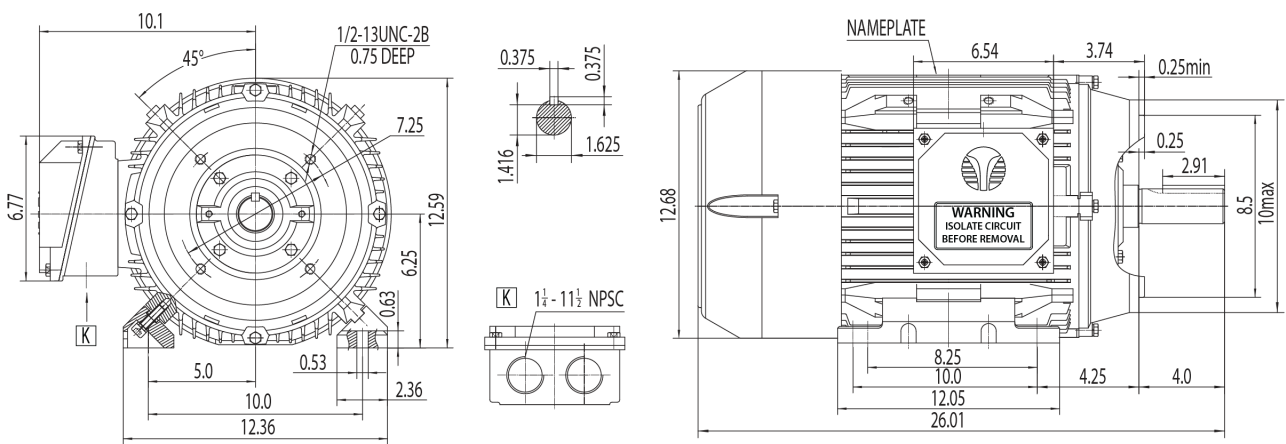
% Load	Horsepower	Current, Amps	Input power, Kilowatts	Speed, RPM	Efficiency	PF
0	-	-	-	-	-	-
25	-	-	-	-	-	-
50	-	-	-	-	91.7	0.76
75	-	-	-	-	92.8	0.84
100	-	-	-	-	93.0	0.83
125	-	-	-	-	-	-
150	-	-	-	-	-	-
SF	-	-	-	-	-	-

	Torque, Lb-Ft	% Full Load Torque	Speed, RPM	Current Amps.
Locked Rotor Torque	167.875	280.0	-	-
Pull Up Torque	71.9463	120.0	-	-
Breakdown Torque	185.861	310.0	-	-
Full Load	59.9552	100.0	-	-

Speed Torque Curve

Please contact Techtop for image.

Dimensional Drawing



Dimensions are for reference only. Allowance should be made for minor deviations in non standard specified properties.

3D Image Link: Not available for this motor