

## Techtop Industries Nameplate and Performance Data

NAMEPLATE DATA		
	60 Hz.	50 Hz.
Horsepower	60.0	-
Frame Size	364TS	
Speed, RPM	3560	2940
Voltage	3 Phase US	380
# Phase	3	
Full Load Amps	67.5	-
Power Factor	0.89	-
Nominal Efficiency	93.6	-
3/4 Load Efficiency	-	-
Service Factor	1.15	1.0
Duty	Cont. / S1	
FL Temp Rise °C	56.0	69.0
Enclosure	TEFC	
Ambient Temp °C	40	
KVA Code	F	E
FL Amps. @ 208 V	-	-
Insulation Class	F	
NEMA Design	B	
Weight	767.0	
DE Bearing	6313C3	
NDE Bearing	6313C3	
dB No-Load	90.0	
Rotor Wk <sup>2</sup> , Lb-Ft <sup>2</sup>	0.3072	
Start Capacitor	-	
Start Capacitor V	-	
Run Capacitor	-	
Run Capacitor V	-	
Number of Leads	6	
Connection	?	
Coil Resistance	-	

<b>Motor Model:</b>	<b>BR3-CI-TF-364TS-2-BR-E-60</b>
---------------------	----------------------------------

Performance Load Values:

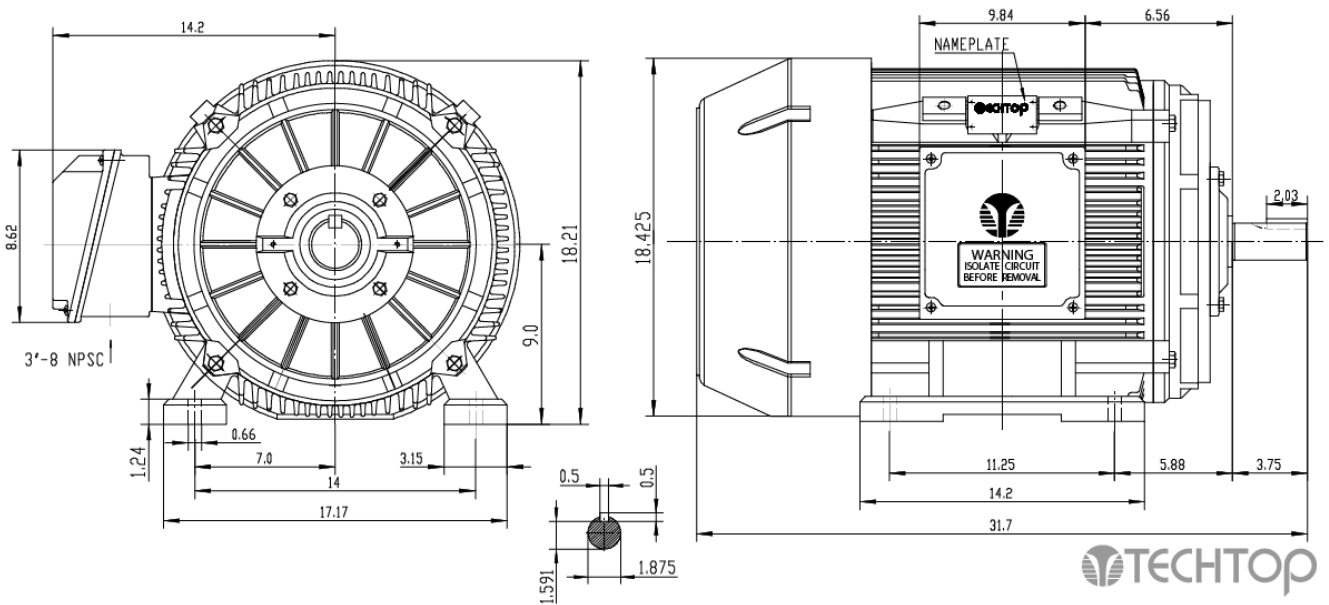
% Load	Horsepower	Current, Amps	Input power, Kilowatts	Speed, RPM	Efficiency	PF
0	-	-	-	-	-	-
25	-	-	-	-	-	-
50	-	-	-	-	92.6	0.78
75	-	-	-	-	92.7	0.85
100	-	-	-	-	93.6	0.89
125	-	-	-	-	-	-
150	-	-	-	-	-	-
SF	-	-	-	-	-	-

	Torque, Lb-Ft	% Full Load Torque	Speed, RPM	Current Amps.
Locked Rotor Torque	266.767	300.0	-	-
Pull Up Torque	146.722	165.0	-	-
Breakdown Torque	293.444	330.0	-	-
Full Load	88.9224	100.0	-	-

### Speed Torque Curve

Please contact Techtop for image.

### Dimensional Drawing



Dimensions are for reference only. Allowance should be made for minor deviations in non standard specified properties.

3D Image Link: Not available for this motor