

Techtop Industries Nameplate and Performance Data

NAMEPLATE DATA		
	60 Hz.	50 Hz.
Horsepower	60.0	-
Frame Size	404T	
Speed, RPM	1185	980
Voltage	3 Phase US	380
# Phase	3	
Full Load Amps	70.0	-
Power Factor	0.85	-
Nominal Efficiency	94.5	-
3/4 Load Efficiency	-	-
Service Factor	1.15	1.0
Duty	Cont. / S1	
FL Temp Rise °C	73.0	79.0
Enclosure	TEFC	
Ambient Temp °C	40	
KVA Code	F	E
FL Amps. @ 208 V	-	-
Insulation Class	F	
NEMA Design	B	
Weight	966.0	
DE Bearing	NU316	
NDE Bearing	6314C3	
dB No-Load	86.0	
Rotor Wk ² , Lb-Ft ²	1.2169	
Start Capacitor	-	
Start Capacitor V	-	
Run Capacitor	-	
Run Capacitor V	-	
Number of Leads	6	
Connection	?	
Coil Resistance	-	

Motor Model:	BR3-CI-TF-404T-6-RR-E-60
---------------------	---------------------------------

Performance Load Values:

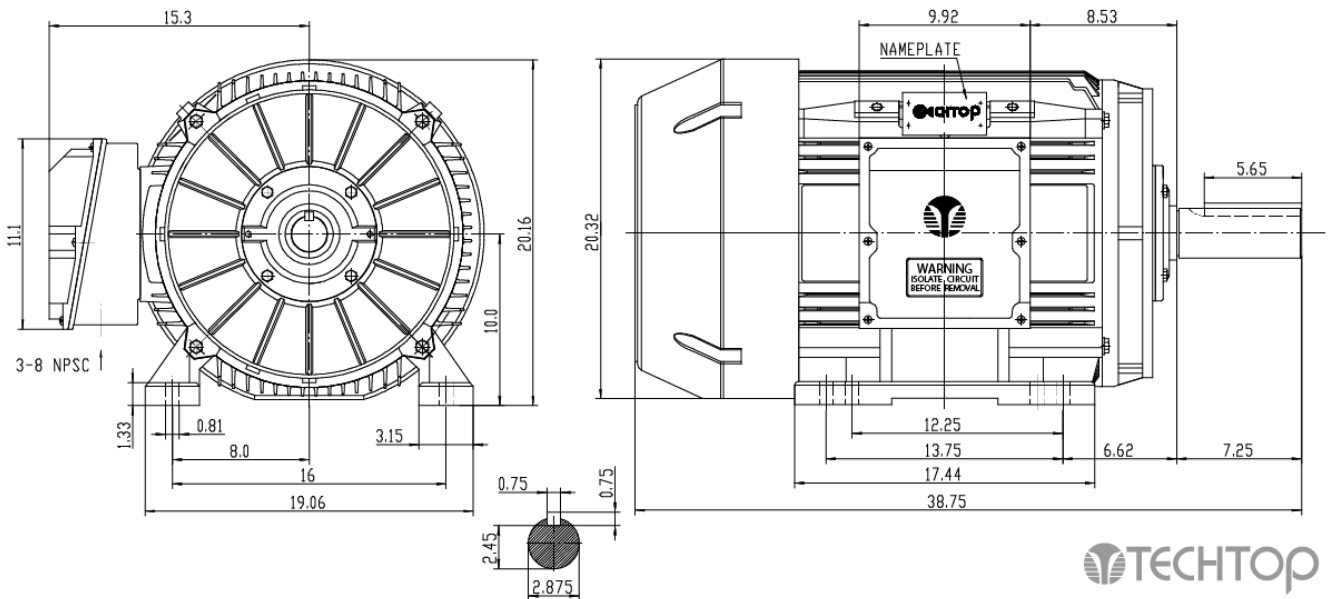
% Load	Horsepower	Current, Amps	Input power, Kilowatts	Speed, RPM	Efficiency	PF
0	-	-	-	-	-	-
25	-	-	-	-	-	-
50	-	-	-	-	93.1	0.74
75	-	-	-	-	94.6	0.82
100	-	-	-	-	94.5	0.85
125	-	-	-	-	-	-
150	-	-	-	-	-	-
SF	-	-	-	-	-	-

	Torque, Lb-Ft	% Full Load Torque	Speed, RPM	Current Amps.
Locked Rotor Torque	534.285	200.0	-	-
Pull Up Torque	320.571	120.0	-	-
Breakdown Torque	641.142	240.0	-	-
Full Load	267.142	100.0	-	-

Speed Torque Curve

Please contact Techtop for image.

Dimensional Drawing



Dimensions are for reference only. Allowance should be made for minor deviations in non standard specified properties.

3D Image Link: Not available for this motor