

Techtop Industries Nameplate and Performance Data

| NAMEPLATE DATA | | |
|--|------------|--------|
| | 60 Hz. | 50 Hz. |
| Horsepower | 75.0 | - |
| Frame Size | 405T | |
| Speed, RPM | 1185 | 980 |
| Voltage | 3 Phase US | 380 |
| # Phase | 3 | |
| Full Load Amps | 87.7 | - |
| Power Factor | 0.86 | - |
| Nominal Efficiency | 94.5 | - |
| 3/4 Load Efficiency | - | - |
| Service Factor | 1.15 | 1.0 |
| Duty | Cont. / S1 | |
| FL Temp Rise °C | 72.0 | 98.0 |
| Enclosure | TEFC | |
| Ambient Temp °C | 40 | |
| KVA Code | F | E |
| FL Amps. @ 208 V | - | - |
| Insulation Class | F | |
| NEMA Design | B | |
| Weight | 1052.0 | |
| DE Bearing | NU316 | |
| NDE Bearing | 6314C3 | |
| dB No-Load | 86.0 | |
| Rotor Wk ² , Lb-Ft ² | 1.4382 | |
| Start Capacitor | - | |
| Start Capacitor V | - | |
| Run Capacitor | - | |
| Run Capacitor V | - | |
| Number of Leads | 6 | |
| Connection | ? | |
| Coil Resistance | - | |

| | |
|---------------------|---------------------------------|
| Motor Model: | BR3-CI-TF-405T-6-RR-E-75 |
|---------------------|---------------------------------|

Performance Load Values:

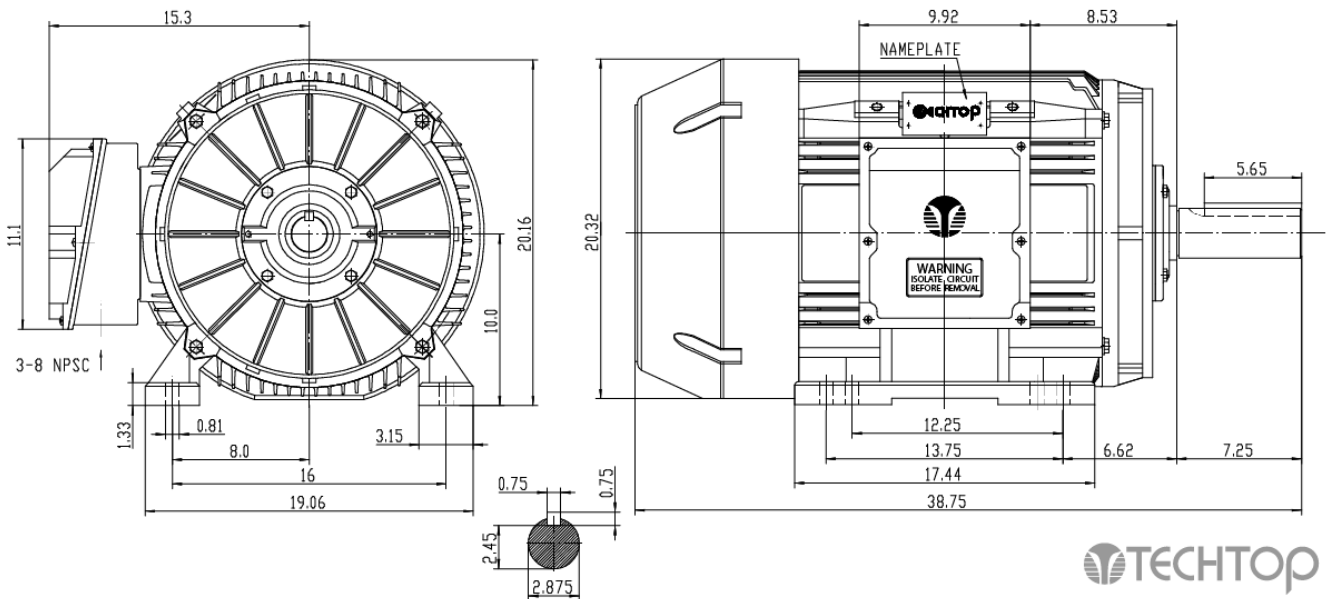
| % Load | Horsepower | Current, Amps | Input power, Kilowatts | Speed, RPM | Efficiency | PF |
|--------|------------|---------------|------------------------|------------|------------|------|
| 0 | - | - | - | - | - | - |
| 25 | - | - | - | - | - | - |
| 50 | - | - | - | - | 93.8 | 0.77 |
| 75 | - | - | - | - | 94.8 | 0.84 |
| 100 | - | - | - | - | 94.5 | 0.86 |
| 125 | - | - | - | - | - | - |
| 150 | - | - | - | - | - | - |
| SF | - | - | - | - | - | - |

| | Torque, Lb-Ft | % Full Load Torque | Speed, RPM | Current Amps. |
|---------------------|---------------|--------------------|------------|---------------|
| Locked Rotor Torque | 667.856 | 200.0 | - | - |
| Pull Up Torque | 400.714 | 120.0 | - | - |
| Breakdown Torque | 801.427 | 240.0 | - | - |
| Full Load | 333.928 | 100.0 | - | - |

Speed Torque Curve

Please contact Techtop for image.

Dimensional Drawing



Dimensions are for reference only. Allowance should be made for minor deviations in non standard specified properties.

3D Image Link: Not available for this motor