

Techtop Industries Nameplate and Performance Data

NAMEPLATE DATA		
	60 Hz.	50 Hz.
Horsepower	125.0	125.0
Frame Size	444TC	
Speed, RPM	1780	1480
Voltage	3 Phase US	380
# Phase	3	
Full Load Amps	139.4117358	167
Power Factor	0.88	-
Nominal Efficiency	95.4	93.7
3/4 Load Efficiency	-	-
Service Factor	1.15	1.0
Duty	Cont. / S1	
FL Temp Rise °C	70.0	-
Enclosure	TEFC	
Ambient Temp °C	40	
KVA Code	K	D
FL Amps. @ 208 V	-	-
Insulation Class	F	
NEMA Design	A	
Weight	1479.56	
DE Bearing	6319C3	
NDE Bearing	6319C3	
dB No-Load	-	
Rotor Wk ² , Lb-Ft ²	-	
Start Capacitor	-	
Start Capacitor V	-	
Run Capacitor	-	
Run Capacitor V	-	
Number of Leads	6	
Connection	?	
Coil Resistance	-	

Motor Model:	BR3-CI-TF-444TC-4-BR-E-125
---------------------	-----------------------------------

Performance Load Values:

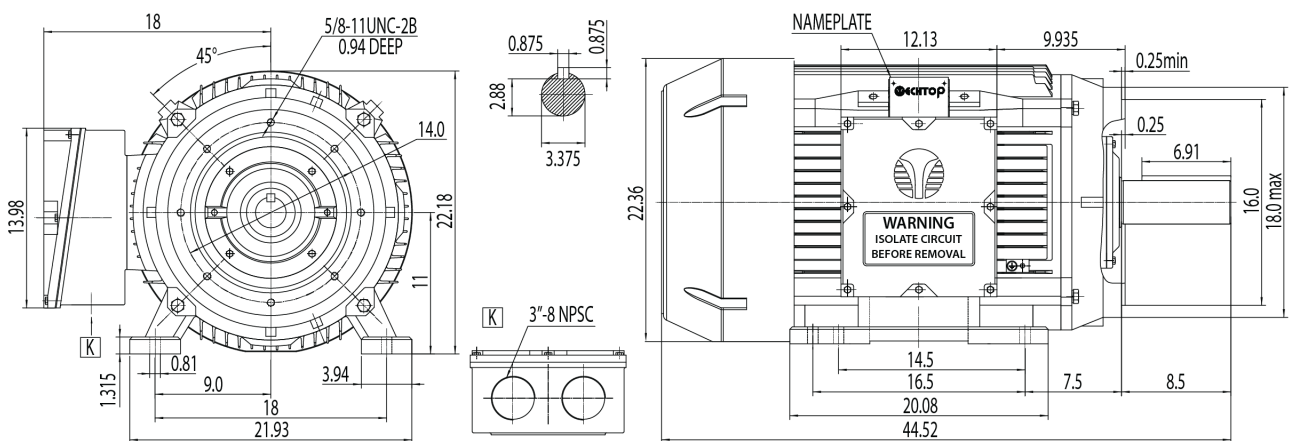
% Load	Horsepower	Current, Amps	Input power, Kilowatts	Speed, RPM	Efficiency	PF
0	62.5	55.58	-	-	-	-
25	62.5	64.5	25.7	1797.7	90.47	0.5
50	62.5	85.06	49.3	1795.2	94.33	0.73
75	93.75	111.22	73.13	1792.7	95.38	0.83
100	125.0	140.92	97.23	1790.0	95.65	0.87
125	62.5	159.57	111.81	1788.3	95.65	0.88
150	62.5	172.07	121.59	1787.2	95.61	0.89
SF	-	-	-	-	-	-

	Torque, Lb-Ft	% Full Load Torque	Speed, RPM	Current Amps.
Locked Rotor Torque	1294.77	355.0	-	1040.0
Pull Up Torque	692.977	190.0	-	-
Breakdown Torque	1240.06	340.0	-	-
Full Load	364.724	100.0	1790.0	140.9

Speed Torque Curve

Please contact Techtop for image.

Dimensional Drawing



Dimensions are for reference only. Allowance should be made for minor deviations in non standard specified properties.

3D Image Link: Not available for this motor