



Cobra

NEMA

MOTOR MODEL:	CB3-AL-TF-56C-2-B-D-.33
FACTORY TYPE:	TXA

Premium NEMA Cast Aluminum, TEFC

ELECTRICAL DATA		
	60 Hz	50 Hz
Horsepower	0.33	0.33
Speed, RPM	3520	2900
Voltage	208-230/460	190/380
# Phase	3	
Full Load Amps	1.22-1.24/0.62	1.38/0.69
Power Factor	0.7	-
Nominal Efficiency	72.0	73.0
Service Factor	1.25	1.0
KVA Code	M	H
FL Amps. @ 208 V	1.22	-
LRC @ 60Hz HV	4.5567	-
Start Capacitor	-	
Start Capacitor V	-	
Run Capacitor	-	
Run Capacitor V	-	
Number of Leads	9	
Connection	YY/Y	
Coil Resistance	-	
Date Code	-	
Load	Efficiency %	P.F.
50%	-	-
75%	-	-
100%	-	-
FULL LOAD TEMPERATURE RISE		
FL Temp Rise °C	26.3	-
3D Image Link		
CB3-AL-TF-56C-2-B-D-.33		

GENERAL DATA			
Frame Size	56C		
Frame Enclosure	TEFC		
Mounting	Rigid/C-Flange		
Insulation Class	F		
Duty	Cont. / S1		
NEMA Design	B		
Frame Material	Cast Aluminum		
Ingress Protection	55		
Tropicalization	true		
Cable Entry	1-NPT 1/2"		
Feet Removable	true		
Double Drilled	-		
Paint Color	Graphite Gray		
Paint RAL	7024		
Weight lb	14.9		
MECHANICAL DATA			
DE Bearing	6204ZZ		
NDE Bearing	6204ZZ		
dB No-Load	-		
Rotor Wk ² , Lb-Ft ²	-		
Comp Ring (wavey washer)	DE		
TORQUE VALUES		Torque lb-ft	% FLT
Locked Rotor Torque		1.70487	335.0
Pull-Up Torque		1.40461	276.0
Breakdown Torque		2.12219	417.0
Full Load Torque		0.508918	100.0
SITE CONDITIONS			
Ambient Temp °C		40	
Altitude Above Sea Level m		1000	

*This report valid for above Date Code and newer models, please contact Techtop for more info.



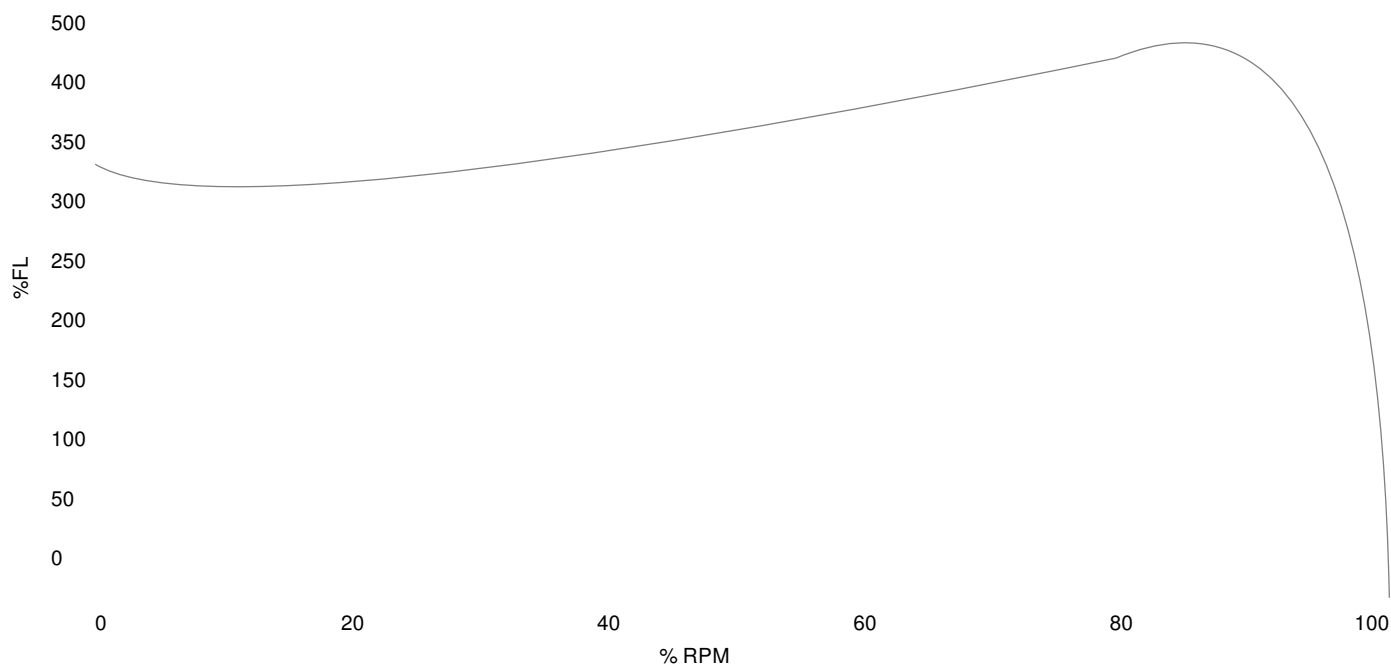
Cobra

NEMA

MOTOR MODEL:	CB3-AL-TF-56C-2-B-D-.33
FACTORY TYPE:	TXA

Premium NEMA Cast Aluminum, TEFC

Torque Speed (T-n) Curve



Performance Load Values, High Voltage, 60Hz

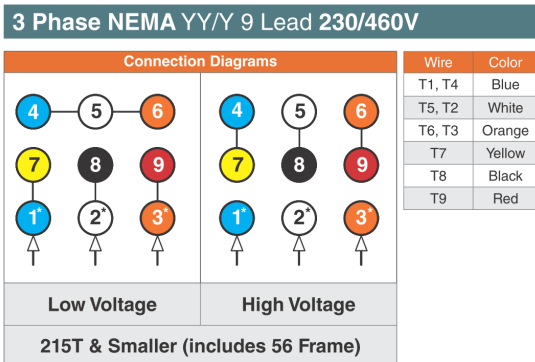
Torque Values	Torque lb-ft	% FLT	Performance Values
Locked Rotor Torque	1.70487	335.0	Start Configuration
Pull-Up Torque	1.40461	276.0	Starting Current (A)
Breakdown Torque	2.12219	417.0	No-Load Current (A)
Full Load	0.508918	100.0	No-Load Power Factor

% Load	Horsepower	Current, Amps	Input power, Kilowatts	Speed, RPM	Efficiency	PF
0	-	0.49	-	-	-	-
25	0.0825	-	-	-	-	-
50	0.165	-	-	-	-	-
75	0.2475	-	-	-	-	-
100	0.33	-	-	-	-	-
125	0.4125	-	-	-	-	-

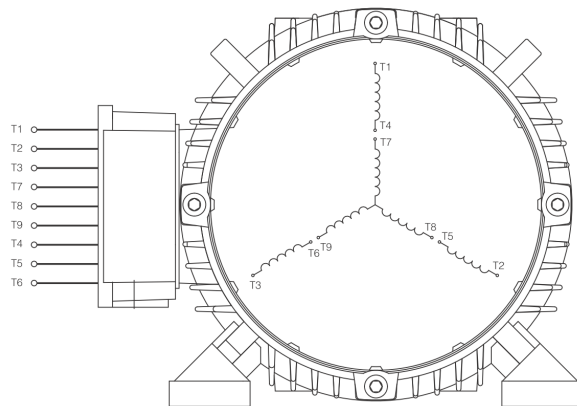
Techtop Industries
 2815 Colonnades Court
 Peachtree Corners, GA 30071
 Tel: 678-436-5540
 E-Mail: info@techttopind.com

MOTOR MODEL:	CB3-AL-TF-56C-2-B-D-.33
FACTORY TYPE:	TXA

Premium NEMA Cast Aluminum, TEFC



When motor is in F1 position, leads shown with "*" exit the casing above the center line of the motor, the remaining leads exit below the center line. This information can be used to identify missing or mislabelled leads.



MOTOR MODEL:	CB3-AL-TF-56C-2-B-D-.33
FACTORY TYPE:	TXA

Premium NEMA Cast Aluminum, TEFC

