

## Techtop Industries Nameplate and Performance Data

| NAMEPLATE DATA                                 |                      |        |
|--|----------------------|--------|
|  | 60 Hz.               | 50 Hz. |
| <b>Horsepower</b>                              | 2.0                  | 2.0    |
| <b>Frame Size</b>                              | 184T                 |        |
| <b>Speed, RPM</b>                              | 1175                 | -      |
| <b>Voltage</b>                                 | 3 Phase US<br>(575V) | -      |
| <b># Phase</b>                                 | 3                    |        |
| <b>Full Load Amps</b>                          | 2.5                  | -      |
| <b>Power Factor</b>                            | 0.68                 | -      |
| <b>Nominal Efficiency</b>                      | 88.5                 | -      |
| <b>3/4 Load Efficiency</b>                     | -                    | -      |
| <b>Service Factor</b>                          | 1.25                 | -      |
| <b>Duty</b>                                    | Cont. / S1           |        |
| <b>FL Temp Rise °C</b>                         | -                    | -      |
| <b>Enclosure</b>                               | TEFC                 |        |
| <b>Ambient Temp °C</b>                         | 40                   |        |
| <b>KVA Code</b>                                | L                    | -      |
| <b>FL Amps. @ 208 V</b>                        | -                    | -      |
| <b>Insulation Class</b>                        | F                    |        |
| <b>NEMA Design</b>                             | B                    |        |
| <b>Weight</b>                                  | 62.0                 |        |
| <b>DE Bearing</b>                              | 6306ZZ               |        |
| <b>NDE Bearing</b>                             | 6206ZZ               |        |
| <b>dB No-Load</b>                              | -                    |        |
| <b>Rotor Wk<sup>2</sup>, Lb-Ft<sup>2</sup></b> | -                    |        |
| <b>Start Capacitor</b>                         |                      |        |
| <b>Start Capacitor V</b>                       |                      |        |
| <b>Run Capacitor</b>                           |                      |        |
| <b>Run Capacitor V</b>                         |                      |        |
| <b>Number of Leads</b>                         | 3                    |        |
| <b>Connection</b>                              | Y                    |        |
| <b>Coil Resistance</b>                         | -                    |        |

|                     |                               |
|---------------------|-------------------------------|
| <b>Motor Model:</b> | <b>GR3-AL-TF-184T-6-B-F-2</b> |
|---------------------|-------------------------------|

Performance Load Values:

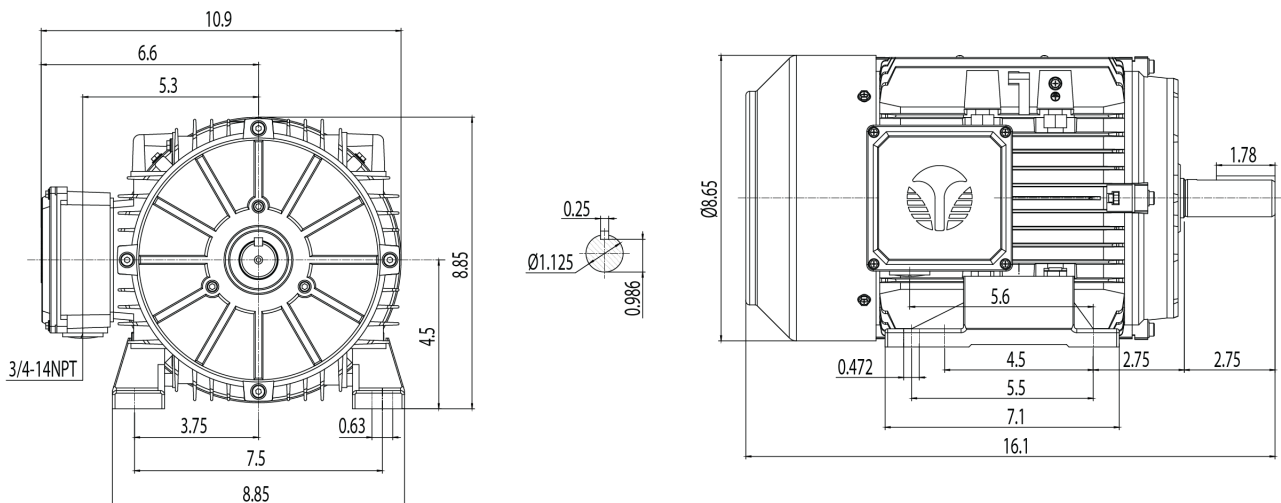
| % Load | Horsepower | Current, Amps | Input power, Kilowatts | Speed, RPM | Efficiency | PF |
|--------|------------|---------------|------------------------|------------|------------|----|
| 0      | -          | -             | -                      | -          | -          | -  |
| 25     | -          | -             | -                      | -          | -          | -  |
| 50     | -          | -             | -                      | -          | -          | -  |
| 75     | -          | -             | -                      | -          | -          | -  |
| 100    | -          | -             | -                      | -          | -          | -  |
| 125    | -          | -             | -                      | -          | -          | -  |
| 150    | -          | -             | -                      | -          | -          | -  |
| SF     | -          | -             | -                      | -          | -          | -  |

|                     | Torque, Lb-Ft | % Full Load Torque | Speed, RPM | Current Amps. |
|---------------------|---------------|--------------------|------------|---------------|
| Locked Rotor Torque | -             | -                  | -          | -             |
| Pull Up Torque      | -             | -                  | -          | -             |
| Breakdown Torque    | -             | -                  | -          | -             |
| Full Load           | -             | -                  | -          | -             |

### Speed Torque Curve

Please contact Techtop for image.

### Dimensional Drawing



Dimensions are for reference only. Allowance should be made for minor deviations in non standard specified properties.

3D Image Link: Not available for this motor

