

## Techtop Industries Nameplate and Performance Data

NAMEPLATE DATA		
	60 Hz.	50 Hz.
Horsepower	25.0	-
Frame Size	284T	
Speed, RPM	1770	1460
Voltage	3 Phase US	190/380
# Phase	3	
Full Load Amps	59.2/29.6	-
Power Factor	0.85	-
Nominal Efficiency	93.6	-
3/4 Load Efficiency	-	-
Service Factor	1.15	1.0
Duty	Cont. / S1	
FL Temp Rise °C	60.0	-
Enclosure	ODP	
Ambient Temp °C	-	
KVA Code	G	F
FL Amps. @ 208 V	65.4	-
Insulation Class	F	
NEMA Design	-	
Weight	441.66	
DE Bearing	6311C3	
NDE Bearing	6309C3	
dB No-Load	-	
Rotor Wk <sup>2</sup> , Lb-Ft <sup>2</sup>	-	
Start Capacitor		
Start Capacitor V		
Run Capacitor		
Run Capacitor V		
Number of Leads	12	
Connection	4?/2?	
Coil Resistance	0.355	

<b>Motor Model:</b>	<b>GR3-CI-OP-284T-4-BR-D-25</b>
---------------------	---------------------------------

Performance Load Values:

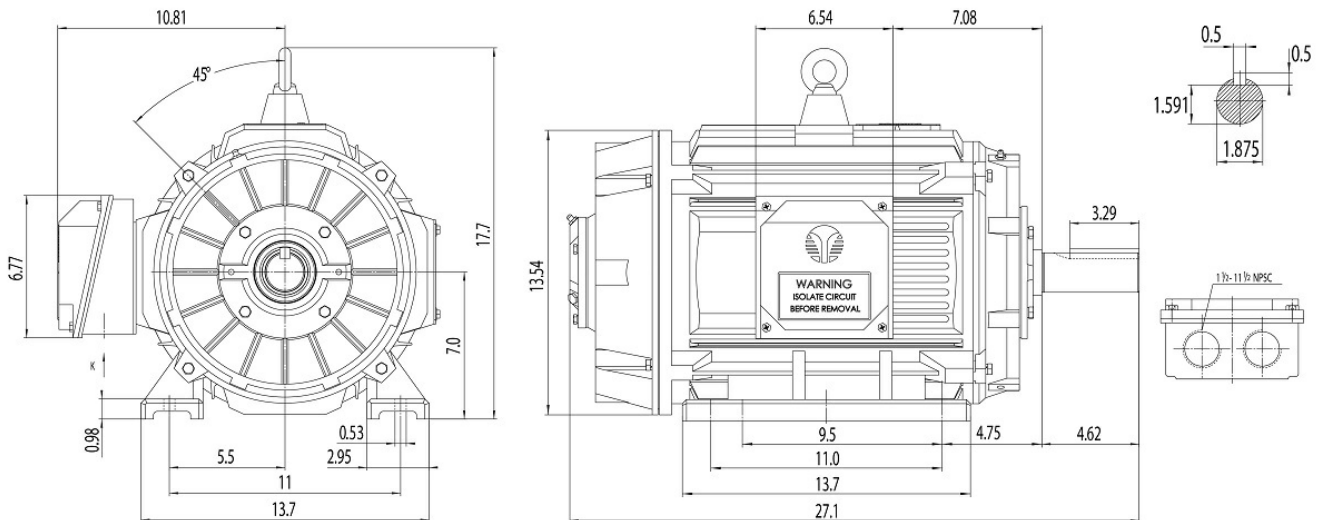
% Load	Horsepower	Current, Amps	Input power, Kilowatts	Speed, RPM	Efficiency	PF
0	-	-	-	-	-	-
25	-	-	-	-	-	-
50	-	-	-	-	92.54	0.7394
75	-	-	-	-	93.6	0.8369
100	-	-	-	-	93.6	0.85
125	-	-	-	-	-	-
150	-	-	-	-	-	-
SF	-	-	-	-	-	-

	Torque, Lb-Ft	% Full Load Torque	Speed, RPM	Current Amps.
Locked Rotor Torque	-	-	-	-
Pull Up Torque	-	-	-	-
Breakdown Torque	-	-	-	-
Full Load	-	-	-	-

### Speed Torque Curve

Please contact Techtop for image.

### Dimensional Drawing



Dimensions are for reference only. Allowance should be made for minor deviations in non standard specified properties.

3D Image Link: Not available for this motor