

| NAMEPLATE DATA | | |
|--|------------|---------|
| | 60 Hz. | 50 Hz. |
| Horsepower | 60.0 | - |
| Frame Size | 364T | |
| Speed, RPM | 1775 | 1465 |
| Voltage | 3 Phase US | 190/380 |
| # Phase | 3 | |
| Full Load Amps | 138.3/69.1 | - |
| Power Factor | 0.86 | - |
| Nominal Efficiency | 95.0 | - |
| 3/4 Load Efficiency | - | - |
| Service Factor | 1.15 | 1.0 |
| Duty | Cont. / S1 | |
| FL Temp Rise °C | 57.0 | - |
| Enclosure | ODP | |
| Ambient Temp °C | - | |
| KVA Code | F | F |
| FL Amps. @ 208 V | 152.9 | - |
| Insulation Class | F | |
| NEMA Design | - | |
| Weight | 887.07 | |
| DE Bearing | 6313C3 | |
| NDE Bearing | 6312C3 | |
| dB No-Load | - | |
| Rotor Wk ² , Lb-Ft ² | - | |
| Start Capacitor | | |
| Start Capacitor V | | |
| Run Capacitor | | |
| Run Capacitor V | | |
| Number of Leads | 12 | |
| Connection | 4?/2? | |
| Coil Resistance | - | |

| | |
|---------------------|---------------------------------|
| Motor Model: | GR3-CI-OP-364T-4-BR-D-60 |
|---------------------|---------------------------------|

Performance Load Values:

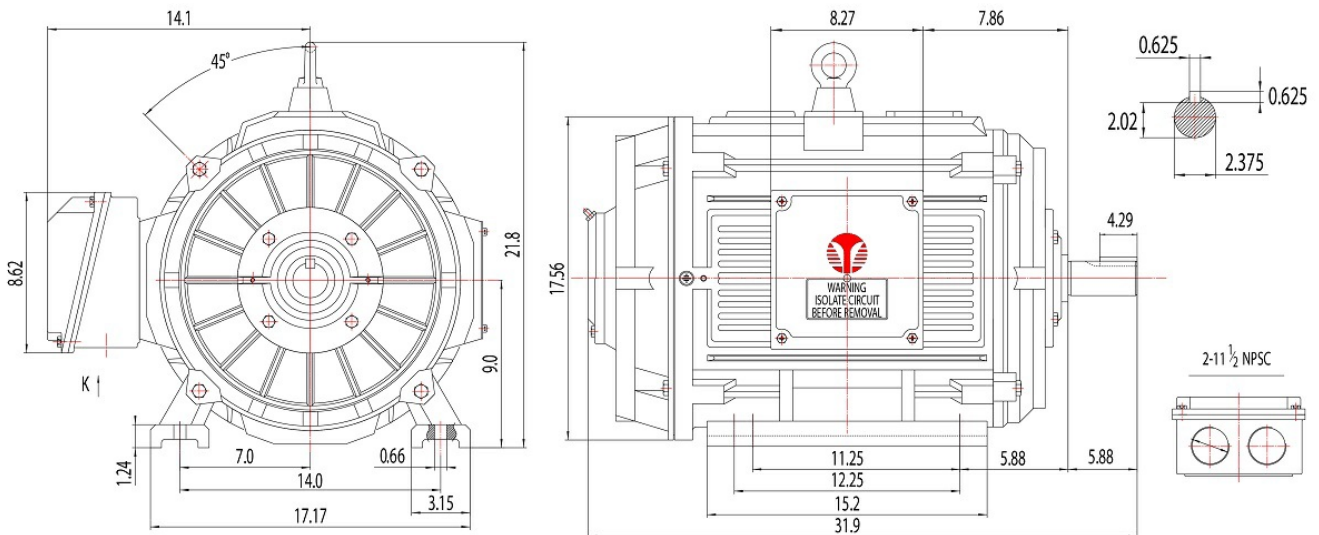
| % Load | Horsepower | Current, Amps | Input power, Kilowatts | Speed, RPM | Efficiency | PF |
|--------|------------|---------------|------------------------|------------|------------|--------|
| 0 | - | - | - | - | - | - |
| 25 | - | - | - | - | - | - |
| 50 | - | - | - | - | 93.95 | 0.7741 |
| 75 | - | - | - | - | 94.8 | 0.8502 |
| 100 | - | - | - | - | 95.0 | 0.86 |
| 125 | - | - | - | - | - | - |
| 150 | - | - | - | - | - | - |
| SF | - | - | - | - | - | - |

| | Torque, Lb-Ft | % Full Load Torque | Speed, RPM | Current Amps. |
|---------------------|---------------|--------------------|------------|---------------|
| Locked Rotor Torque | - | - | - | - |
| Pull Up Torque | - | - | - | - |
| Breakdown Torque | - | - | - | - |
| Full Load | - | - | - | - |

Speed Torque Curve

Please contact Techtop for image.

Dimensional Drawing



Dimensions are for reference only. Allowance should be made for minor deviations in non standard specified properties.

3D Image Link: Not available for this motor