



## Three Phase Cast Iron

# NEMA

<b>MOTOR MODEL:</b>	GR3-CI-TF-182T-4-B-D-3
<b>FACTORY TYPE:</b>	TXC

## Premium NEMA Cast Iron, TEFC

ELECTRICAL DATA		
	60 Hz	50 Hz
Horsepower	3.0	3.0
Speed, RPM	1755	1450
Voltage	230/460	190/380
# Phase	3	
Full Load Amps	7.95/3.97	9.6/4.8
Power Factor	0.8	-
Nominal Efficiency	89.5	84.0
3/4 Load Efficiency	-	-
Service Factor	1.25	1.0
KVA Code	L	J
FL Amps. @ 208 V	8.78589	-
LRC @ 60Hz HV	34.7011	-
Start Capacitor	-	
Start Capacitor V	-	
Run Capacitor	-	
Run Capacitor V	-	
Number of Leads	9	
Connection	YY/Y	
Coil Resistance	-	
Date Code	-	
<b>Load</b>	<b>Efficiency %</b>	<b>P.F.</b>
50%	-	-
75%	-	-
100%	-	-
FULL LOAD TEMPERATURE RISE		
FL Temp Rise °C	-	-
3D Image Link		
<a href="#">GR3-CI-TF-182T-4-B-D-3</a>		

GENERAL DATA		
Frame Size	182T	
Frame Enclosure	TEFC	
Mounting	Rigid	
Insulation Class	F	
Duty	Cont. / S1	
NEMA Design	A	
Frame Material	Cast Iron	
Ingress Protection	55	
Tropicalization	true	
Cable Entry	1-NPT 3/4"	
Feet Removable	true	
Double Drilled	-	
Paint Color	Graphite Gray	
Paint RAL	7024	
Weight lb	94.815	
MECHANICAL DATA		
DE Bearing	6306ZZ	
NDE Bearing	6306ZZ	
dB No-Load	-	
Rotor Wk <sup>2</sup> , Lb-Ft <sup>2</sup>	-	
Comp Ring (wavey washer)	NDE	
TORQUE VALUES		
	<b>Torque lb-ft</b>	<b>% FLT</b>
Locked Rotor Torque	25.5168	288.0
Pull-Up Torque	22.4158	253.0
Breakdown Torque	34.0224	384.0
Full Load Torque	8.86	100.0
SITE CONDITIONS		
Ambient Temp °C	40	
Altitude Above Sea Level m	1000	

\*This report valid for above Date Code and newer models, please contact Techtop for more info.



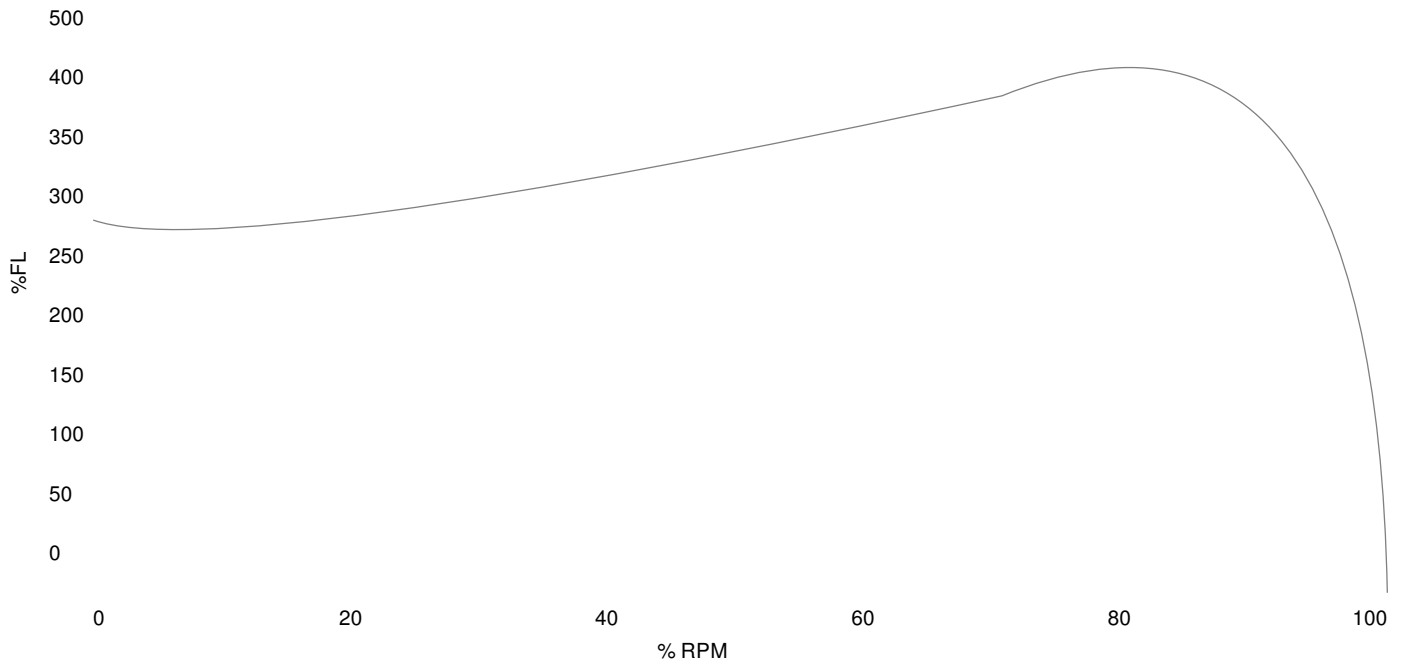
# Three Phase Cast Iron

## NEMA

<b>MOTOR MODEL:</b>	GR3-CI-TF-182T-4-B-D-3
<b>FACTORY TYPE:</b>	TXC

### Premium NEMA Cast Iron, TEFC

Torque Speed (T-n) Curve



Performance Load Values, High Voltage, 60Hz

Torque Values	Torque lb-ft	% FLT	Performance Values
Locked Rotor Torque	25.5168	288.0	Start Configuration
Pull-Up Torque	22.4158	253.0	Starting Current (A)
Breakdown Torque	34.0224	384.0	No-Load Current (A)
Full Load	8.86	100.0	No-Load Power Factor

% Load	Horsepower	Current, Amps	Input power, Kilowatts	Speed, RPM	Efficiency	PF
0	-	1.95	-	-	-	-
25	0.75	-	-	-	-	-
50	1.5	-	-	-	-	-
75	2.25	-	-	-	-	-
100	3.0	-	-	-	-	-
125	3.75	-	-	-	-	-

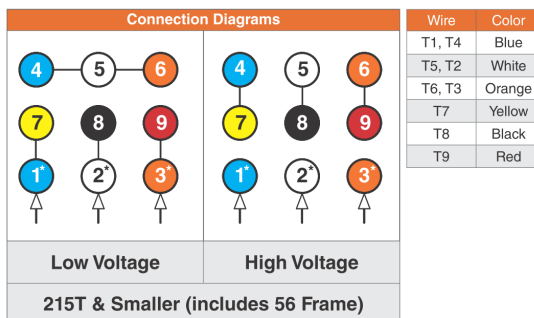
Techtop Industries  
 2815 Colonnades Court  
 Peachtree Corners, GA 30071  
 Tel: 678-436-5540  
 E-Mail: info@techttopind.com

## NEMA

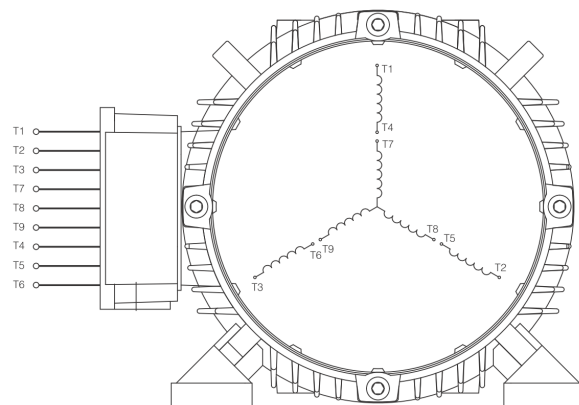
<b>MOTOR MODEL:</b>	GR3-CI-TF-182T-4-B-D-3
<b>FACTORY TYPE:</b>	TXC

### Premium NEMA Cast Iron, TEFC

#### 3 Phase NEMA YY/Y 9 Lead 230/460V



When motor is in F1 position, leads shown with "\*" exit the casing above the center line of the motor, the remaining leads exit below the center line. This information can be used to identify missing or mislabelled leads.



<b>MOTOR MODEL:</b>	GR3-CI-TF-182T-4-B-D-3
<b>FACTORY TYPE:</b>	TXC

# NEMA

## Premium NEMA Cast Iron, TEFC

