

## Techtop Industries Nameplate and Performance Data

NAMEPLATE DATA		
	60 Hz.	50 Hz.
Horsepower	3.0	3.0
Frame Size	213T	
Speed, RPM	1170	955
Voltage	3 Phase US	190/380
# Phase	3	
Full Load Amps	8.84/4.42	11/5.5
Power Factor	0.74	-
Nominal Efficiency	89.5	85.5
3/4 Load Efficiency	-	-
Service Factor	1.25	1.0
Duty	Cont. / S1	
FL Temp Rise °C	-	-
Enclosure	TEFC	
Ambient Temp °C	40	
KVA Code	L	K
FL Amps. @ 208 V	9.77586	-
Insulation Class	F	
NEMA Design	A	
Weight	147.735	
DE Bearing	6308ZZ	
NDE Bearing	6308ZZ	
dB No-Load	-	
Rotor Wk <sup>2</sup> , Lb-Ft <sup>2</sup>	-	
Start Capacitor		
Start Capacitor V	-	
Run Capacitor		
Run Capacitor V	-	
Number of Leads	9	
Connection	YY/Y	
Coil Resistance	4.5	

<b>Motor Model:</b>	<b>GR3-CI-TF-213T-6-B-D-3</b>
---------------------	-------------------------------

Performance Load Values:

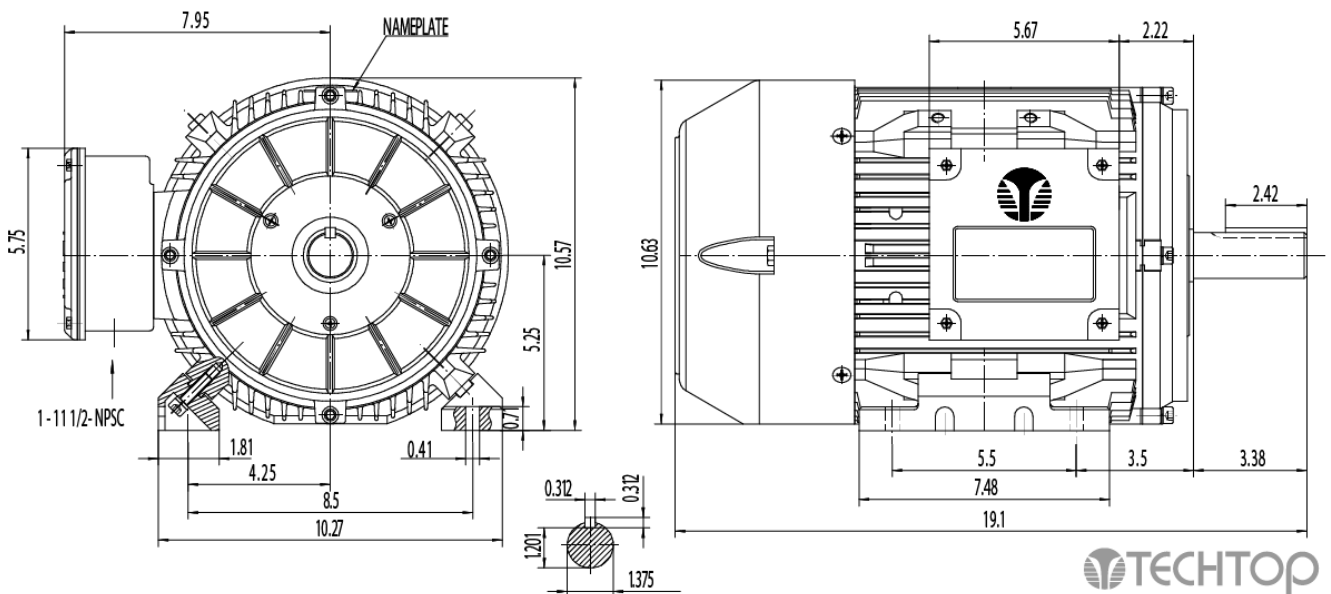
% Load	Horsepower	Current, Amps	Input power, Kilowatts	Speed, RPM	Efficiency	PF
0	1.5	-	-	-	-	-
25	1.5	-	-	-	-	-
50	1.5	-	-	-	-	-
75	2.25	-	-	-	-	-
100	3.0	-	-	-	-	-
125	1.5	-	-	-	-	-
150	1.5	-	-	-	-	-
SF	-	-	-	-	-	-

	Torque, Lb-Ft	% Full Load Torque	Speed, RPM	Current Amps.
Locked Rotor Torque	-	-	-	-
Pull Up Torque	-	-	-	-
Breakdown Torque	-	-	-	-
Full Load	-	-	-	-

### Speed Torque Curve

Please contact Techtop for image.

### Dimensional Drawing



Dimensions are for reference only. Allowance should be made for minor deviations in non standard specified properties.

3D Image Link: <https://onedrive.live.com/redir?resid=D9AD913FBF3860CC!2009&authkey=IADLwa4Im-NXPXsq&ithint=file%2cSTEP>