

NAMEPLATE DATA		
	60 Hz	50 Hz
Horsepower	15.0	15.0
Frame Size	254T	
Speed, RPM	1760	-
Voltage	575	-
# Phase	3	
Full Load Amps	14.47605942	-
Power Factor	0.81	-
Nominal Efficiency	92.4	-
3/4 Load Efficiency	-	-
Service Factor	1.25	1.0
Duty	Cont. / S1	
FL Temp Rise °C	40.0	-
Enclosure	TEFC	
Ambient Temp °C	40	
KVA Code	K	-
FL Amps. @ 208 V	-	-
Insulation Class	F	
NEMA Design	A	
Weight	278.932	
DE Bearing	6309C3	
NDE Bearing	6309C3	
dB No-Load	-	
Rotor Wk ² , Lb-Ft ²	-	
Start Capacitor	-	
Start Capacitor V	-	
Run Capacitor	-	
Run Capacitor V	-	
Number of Leads	6	
Connection	?	
Coil Resistance	-	

Motor Model:	GR3-CI-TF-254T-4-BR-F-15
---------------------	---------------------------------

Performance Load Values:

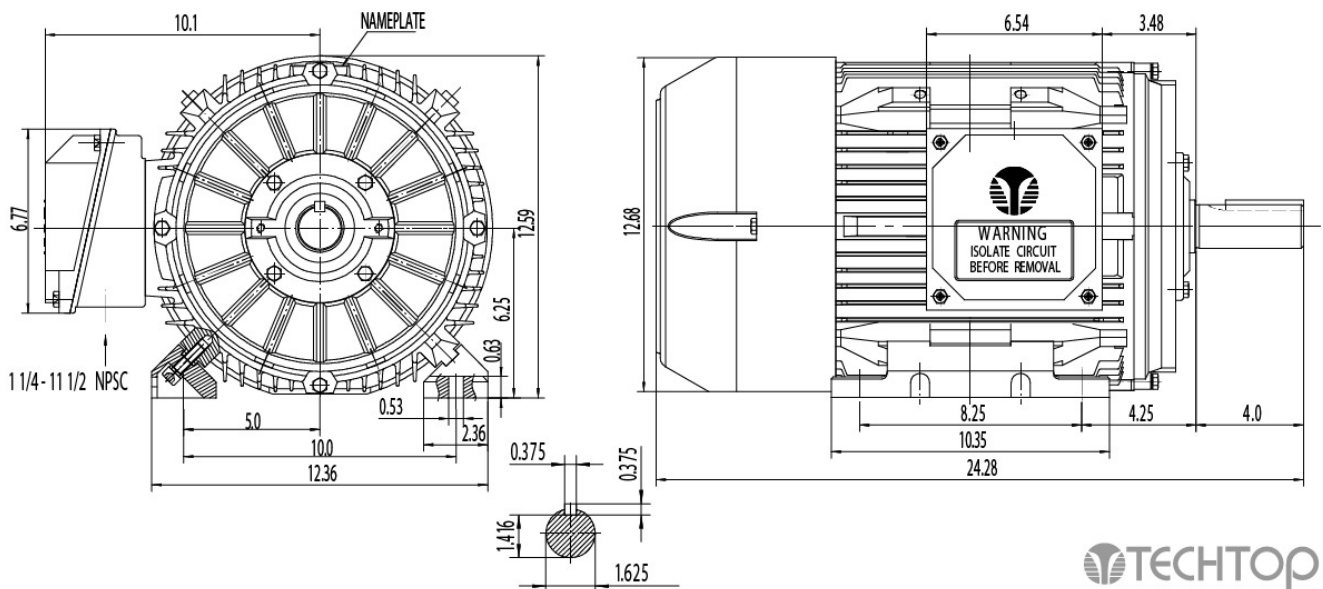
% Load	Horsepower	Current, Amps	Input power, Kilowatts	Speed, RPM	Efficiency	PF
0	-	8.37	-	-	-	-
25	3.75	9.23	3.28	1794.2	86.19	0.45
50	7.5	11.62	6.19	1788.5	91.29	0.67
75	11.25	14.7	9.16	1782.5	92.52	0.78
100	15.0	18.3	12.2	1776.1	92.63	0.84
125	18.75	22.25	15.31	1769.4	92.25	0.86
150	22.5	26.41	18.5	1762.3	91.63	0.88
SF	-	-	-	-	-	-

	Torque, Lb-Ft	% Full Load Torque	Speed, RPM	Current Amps.
Locked Rotor Torque	130.197	290.0	-	169.824
Pull Up Torque	109.994	245.0	-	-
Breakdown Torque	173.745	387.0	-	-
Full Load	44.8954	100.0	1776.1	18.3

Speed Torque Curve

Please contact Techtop for image.

Dimensional Drawing



Dimensions are for reference only. Allowance should be made for minor deviations in non standard specified properties.

3D Image Link: Not available for this motor