

NAMEPLATE DATA		
	60 Hz	50 Hz
Horsepower	7.5	7.5
Frame Size	254T	
Speed, RPM	1170	-
Voltage	575	-
# Phase	3	
Full Load Amps	8.123003385	-
Power Factor	0.74	-
Nominal Efficiency	91.0	-
3/4 Load Efficiency	-	-
Service Factor	1.25	1.0
Duty	Cont. / S1	
FL Temp Rise °C	38.0	-
Enclosure	TEFC	
Ambient Temp °C	40	
KVA Code	J	-
FL Amps. @ 208 V	-	-
Insulation Class	F	
NEMA Design	A	
Weight	246.96	
DE Bearing	6309C3	
NDE Bearing	6309C3	
dB No-Load	-	
Rotor Wk ² , Lb-Ft ²	-	
Start Capacitor	-	
Start Capacitor V	-	
Run Capacitor	-	
Run Capacitor V	-	
Number of Leads	6	
Connection	?	
Coil Resistance	-	

Motor Model:	GR3-CI-TF-254T-6-BR-F-7.5
--------------	---------------------------

Performance Load Values:

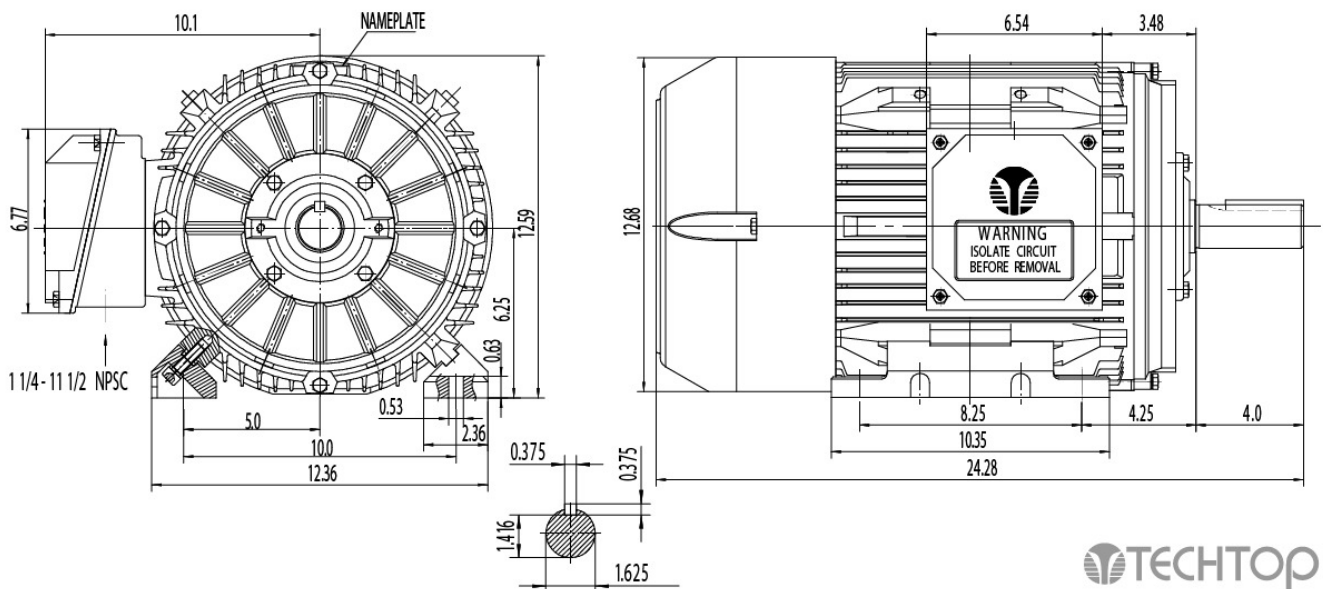
% Load	Horsepower	Current, Amps	Input power, Kilowatts	Speed, RPM	Efficiency	PF
0	-	5.59	-	-	-	-
25	1.875	5.8	1.64	1194.4	85.17	0.36
50	3.75	6.98	3.1	1189.7	90.32	0.56
75	5.625	8.49	4.59	1184.4	91.43	0.68
100	7.5	10.31	6.13	1178.4	91.33	0.75
125	9.375	12.41	7.72	1171.8	90.64	0.78
150	11.25	14.75	9.37	1164.5	89.6	0.8
SF	-	-	-	-	-	-

	Torque, Lb-Ft	% Full Load Torque	Speed, RPM	Current Amps.
Locked Rotor Torque	83.9161	246.0	-	80.0056
Pull Up Torque	44.687	131.0	-	-
Breakdown Torque	103.36	303.0	-	-
Full Load	34.1123	100.0	1178.4	10.31

Speed Torque Curve

Please contact Techtop for image.

Dimensional Drawing



Dimensions are for reference only. Allowance should be made for minor deviations in non standard specified properties.

3D Image Link: Not available for this motor