

## Techtop Industries Nameplate and Performance Data

NAMEPLATE DATA		
	60 Hz	50 Hz
Horsepower	15.0	15.0
Frame Size	254TC	
Speed, RPM	3540	2920
Voltage	230/460	190/380
# Phase	3	
Full Load Amps	35.08/17.54	45.2/22.6
Power Factor	0.88	-
Nominal Efficiency	91.0	88.0
3/4 Load Efficiency	-	-
Service Factor	1.25	1.0
Duty	Cont. / S1	
FL Temp Rise °C	52.0	-
Enclosure	TEFC	
Ambient Temp °C	40	
KVA Code	L	F
FL Amps. @ 208 V	38.7866	-
Insulation Class	F	
NEMA Design	A	
Weight	254.678	
DE Bearing	6309C3	
NDE Bearing	6309C3	
dB No-Load	-	
Rotor Wk <sup>2</sup> , Lb-Ft <sup>2</sup>	-	
Start Capacitor	-	
Start Capacitor V	-	
Run Capacitor	-	
Run Capacitor V	-	
Number of Leads	12	
Connection	??/?	
Coil Resistance	-	

Motor Model:	GR3-CI-TF-254TC-2-BR-D-15
--------------	---------------------------

Performance Load Values:

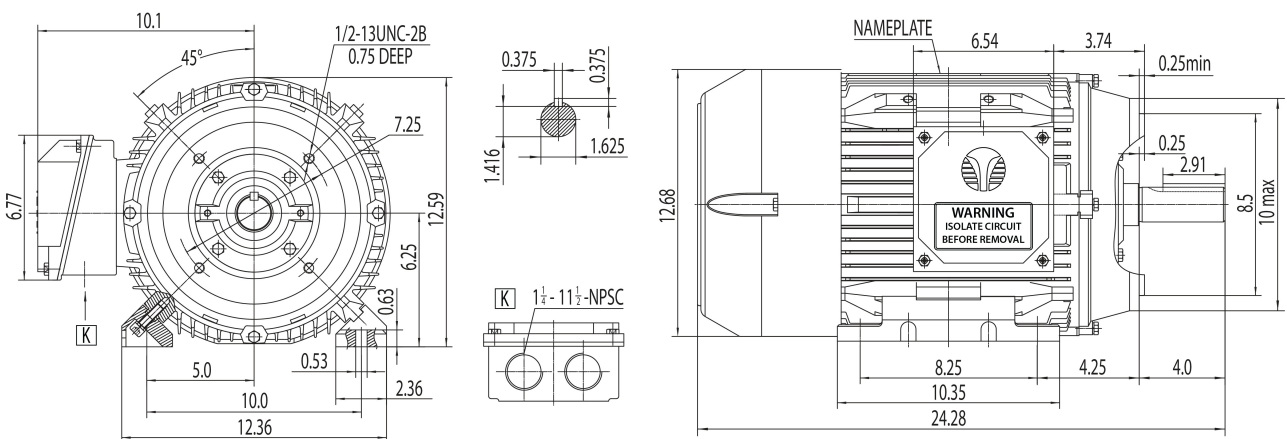
% Load	Horsepower	Current, Amps	Input power, Kilowatts	Speed, RPM	Efficiency	PF
0	-	8.01	-	-	-	-
25	3.75	9.11	3.58	3592.6	78.93	0.49
50	7.5	11.59	6.49	3585.6	87.1	0.71
75	11.25	14.7	9.45	3578.2	89.66	0.81
100	15.0	18.29	12.48	3570.4	90.53	0.86
125	18.75	22.21	15.58	3562.3	90.67	0.88
150	22.5	26.28	18.75	3553.8	90.42	0.9
SF	-	-	-	-	-	-

	Torque, Lb-Ft	% Full Load Torque	Speed, RPM	Current Amps.
Locked Rotor Torque	75.0398	337.0	-	208.506
Pull Up Torque	42.9753	193.0	-	-
Breakdown Torque	88.1773	396.0	-	-
Full Load	22.267	100.0	3570.4	18.29

### Speed Torque Curve

Please contact Techtop for image.

### Dimensional Drawing



Dimensions are for reference only. Allowance should be made for minor deviations in non standard specified properties.

3D Image Link: Not available for this motor