

NAMEPLATE DATA		
	60 Hz	50 Hz
Horsepower	20.0	20.0
Frame Size	256T	
Speed, RPM	3530	2920
Voltage	230/460	190/380
# Phase	3	
Full Load Amps	45.23/22.61	58.8/29.4
Power Factor	0.89	-
Nominal Efficiency	91.0	88.0
3/4 Load Efficiency	-	-
Service Factor	1.25	1.0
Duty	Cont. / S1	
FL Temp Rise °C	58.0	-
Enclosure	TEFC	
Ambient Temp °C	40	
KVA Code	K	F
FL Amps. @ 208 V	50.0106	-
Insulation Class	F	
NEMA Design	A	
Weight	275.625	
DE Bearing	6309C3	
NDE Bearing	6309C3	
dB No-Load	-	
Rotor Wk <sup>2</sup> , Lb-Ft <sup>2</sup>	-	
Start Capacitor	-	
Start Capacitor V	-	
Run Capacitor	-	
Run Capacitor V	-	
Number of Leads	12	
Connection	??/?	
Coil Resistance	-	

<b>Motor Model:</b>	<b>GR3-CI-TF-256T-2-BR-D-20</b>
---------------------	---------------------------------

Performance Load Values:

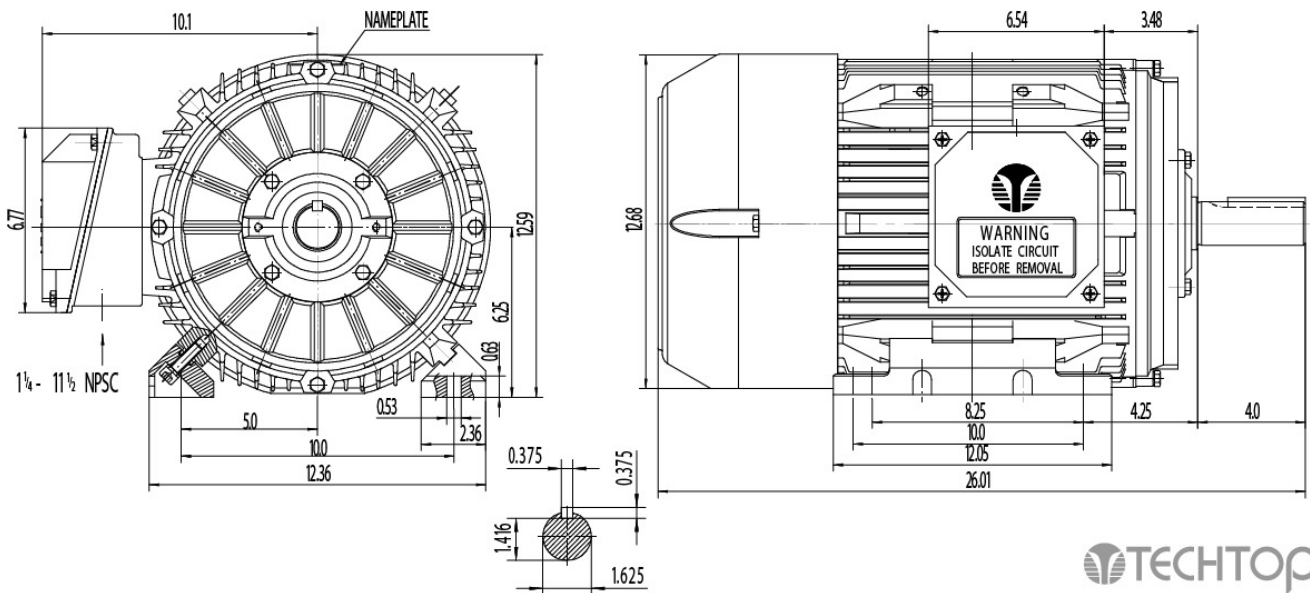
% Load	Horsepower	Current, Amps	Input power, Kilowatts	Speed, RPM	Efficiency	PF
0	-	10.57	-	-	-	-
25	5.0	11.94	4.64	3592.4	80.73	0.49
50	10.0	15.25	8.5	3585.0	88.28	0.7
75	15.0	19.36	12.42	3577.3	90.59	0.8
100	20.0	24.09	16.42	3569.1	91.36	0.86
125	25.0	29.22	20.5	3560.6	91.45	0.88
150	30.0	34.57	24.67	3551.8	91.19	0.9
SF	-	-	-	-	-	-

	Torque, Lb-Ft	% Full Load Torque	Speed, RPM	Current Amps.
Locked Rotor Torque	105.645	358.0	-	288.478
Pull Up Torque	61.6756	209.0	-	-
Breakdown Torque	130.138	441.0	-	-
Full Load	29.5099	100.0	3569.1	24.08

#### Speed Torque Curve

Please contact Techtop for image.

#### Dimensional Drawing



Dimensions are for reference only. Allowance should be made for minor deviations in non standard specified properties.

3D Image Link: Not available for this motor