

NAMEPLATE DATA		
	60 Hz	50 Hz
Horsepower	20.0	20.0
Frame Size	256T	
Speed, RPM	1760	1450
Voltage	230/460	190/380
# Phase	3	
Full Load Amps	45.76/22.88	58/29
Power Factor	0.83	-
Nominal Efficiency	93.0	88.0
3/4 Load Efficiency	-	-
Service Factor	1.25	1.0
Duty	Cont. / S1	
FL Temp Rise °C	51.0	-
Enclosure	TEFC	
Ambient Temp °C	40	
KVA Code	K	F
FL Amps. @ 208 V	50.6033	-
Insulation Class	F	
NEMA Design	A	
Weight	330.75	
DE Bearing	6309C3	
NDE Bearing	6309C3	
dB No-Load	-	
Rotor Wk ² , Lb-Ft ²	-	
Start Capacitor	-	
Start Capacitor V	-	
Run Capacitor	-	
Run Capacitor V	-	
Number of Leads	12	
Connection	??/?	
Coil Resistance	-	

Motor Model:	GR3-CI-TF-256T-4-BR-D-20
---------------------	---------------------------------

Performance Load Values:

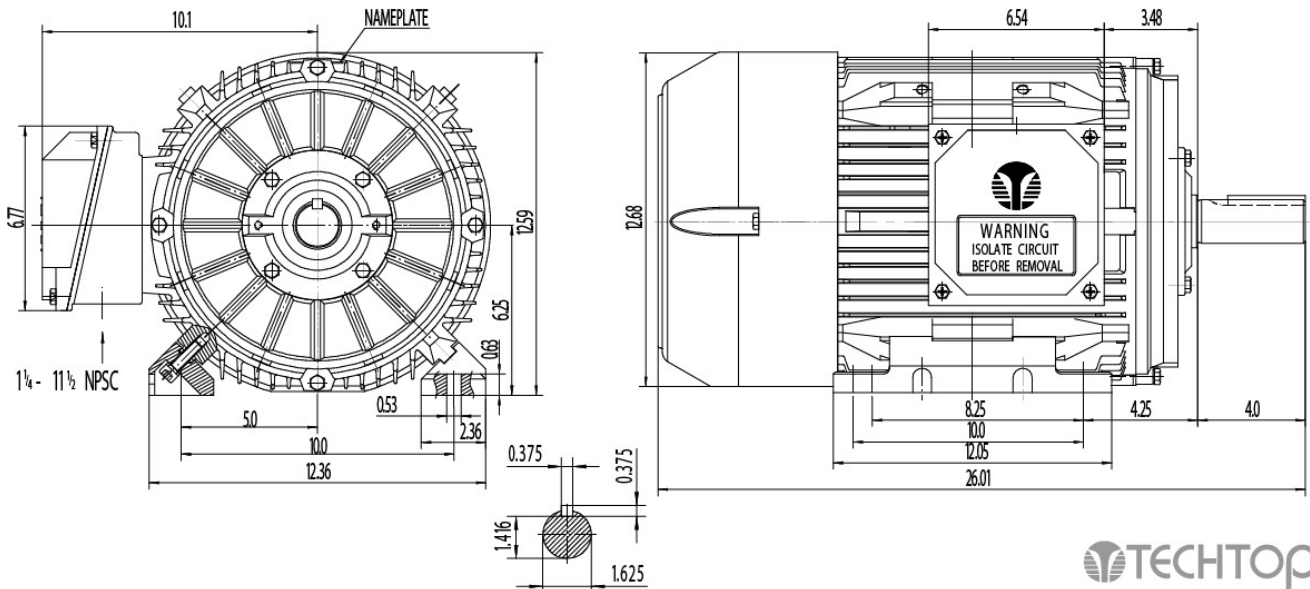
% Load	Horsepower	Current, Amps	Input power, Kilowatts	Speed, RPM	Efficiency	PF
0	-	8.72	-	-	-	-
25	5.0	10.25	4.28	1793.3	87.68	0.52
50	10.0	13.84	8.16	1786.6	91.95	0.74
75	15.0	18.28	12.13	1779.4	92.77	0.83
100	20.0	23.35	16.2	1771.7	92.58	0.87
125	25.0	28.86	20.39	1763.5	91.95	0.89
150	30.0	34.6	24.7	1754.9	91.1	0.9
SF	-	-	-	-	-	-

	Torque, Lb-Ft	% Full Load Torque	Speed, RPM	Current Amps.
Locked Rotor Torque	166.907	280.0	-	211.318
Pull Up Torque	122.796	206.0	-	-
Breakdown Torque	209.826	352.0	-	-
Full Load	59.6098	100.0	1771.7	23.35

Speed Torque Curve

Please contact Techtop for image.

Dimensional Drawing



Dimensions are for reference only. Allowance should be made for minor deviations in non standard specified properties.

3D Image Link: Not available for this motor