

NAMEPLATE DATA		
	60 Hz	50 Hz
Horsepower	10.0	10.0
Frame Size	256T	
Speed, RPM	1170	960
Voltage	230/460	190/380
# Phase	3	
Full Load Amps	26.73/13.36	34/17
Power Factor	0.76	-
Nominal Efficiency	91.0	87.5
3/4 Load Efficiency	-	-
Service Factor	1.25	1.0
Duty	Cont. / S1	
FL Temp Rise °C	45.0	-
Enclosure	TEFC	
Ambient Temp °C	40	
KVA Code	J	H
FL Amps. @ 208 V	29.5517	-
Insulation Class	F	
NEMA Design	A	
Weight	277.83	
DE Bearing	6309C3	
NDE Bearing	6309C3	
dB No-Load	-	
Rotor Wk ² , Lb-Ft ²	-	
Start Capacitor	-	
Start Capacitor V	-	
Run Capacitor	-	
Run Capacitor V	-	
Number of Leads	12	
Connection	??/?	
Coil Resistance	-	

Motor Model:	GR3-CI-TF-256T-6-BR-D-10
---------------------	---------------------------------

Performance Load Values:

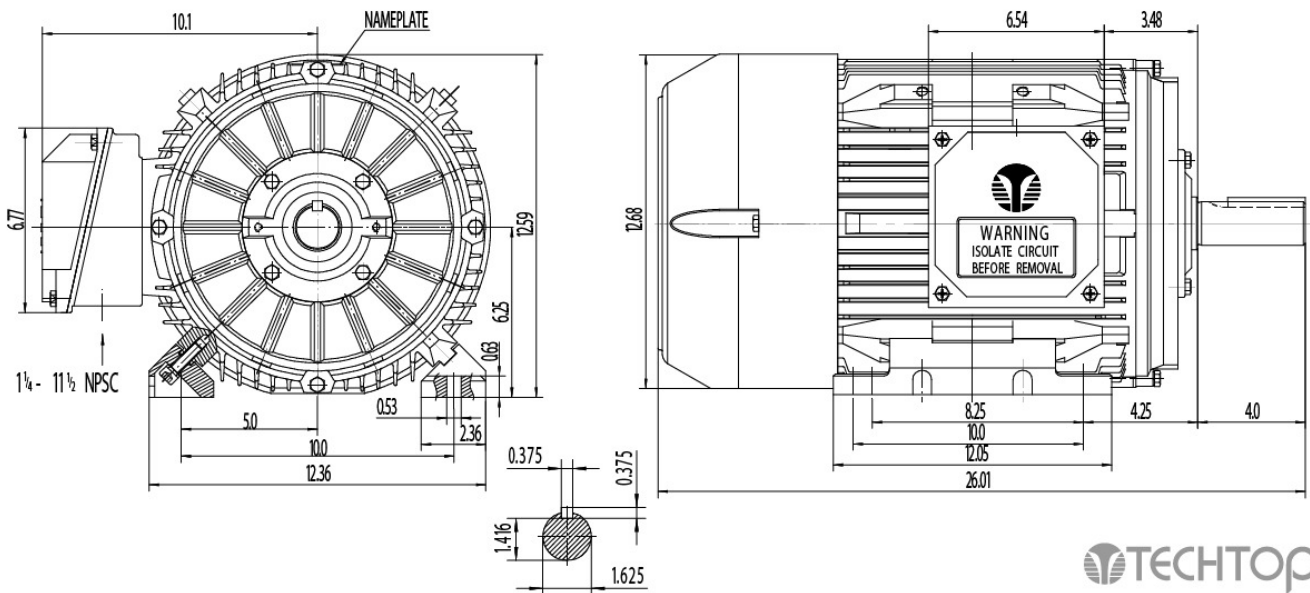
% Load	Horsepower	Current, Amps	Input power, Kilowatts	Speed, RPM	Efficiency	PF
0	-	7.69	-	-	-	-
25	2.5	8.18	2.21	1195.4	84.71	0.34
50	5.0	9.57	4.17	1191.0	89.88	0.55
75	7.5	11.55	6.19	1186.1	90.84	0.67
100	10.0	14.01	8.28	1180.8	90.57	0.74
125	12.5	16.84	10.45	1175.1	89.75	0.78
150	15.0	19.94	12.7	1168.9	88.62	0.8
SF	-	-	-	-	-	-

	Torque, Lb-Ft	% Full Load Torque	Speed, RPM	Current Amps.
Locked Rotor Torque	124.258	277.0	-	121.046
Pull Up Torque	51.1387	114.0	-	-
Breakdown Torque	145.342	324.0	-	-
Full Load	44.8585	100.0	1180.8	14.01

Speed Torque Curve

Please contact Techtop for image.

Dimensional Drawing



Dimensions are for reference only. Allowance should be made for minor deviations in non standard specified properties.

3D Image Link: Not available for this motor