

NAMEPLATE DATA		
	60 Hz.	50 Hz.
Horsepower	25.0	25.0
Frame Size	256TC	
Speed, RPM	3550	2930
Voltage	3 Phase US	190/380
# Phase	3	
Full Load Amps	60.06/30.03	68.4/34.2
Power Factor	0.8	-
Nominal Efficiency	91.7	-
3/4 Load Efficiency	-	-
Service Factor	1.25	1.0
Duty	Cont. / S1	
FL Temp Rise °C	-	-
Enclosure	TEFC	
Ambient Temp °C	40	
KVA Code	M	F
FL Amps. @ 208 V	66.41	-
Insulation Class	F	
NEMA Design	A	
Weight	-	
DE Bearing	6309C3	
NDE Bearing	6309C3	
dB No-Load	-	
Rotor Wk ² , Lb-Ft ²	-	
Start Capacitor	-	
Start Capacitor V	-	
Run Capacitor	-	
Run Capacitor V	-	
Number of Leads	12	
Connection	??/?	
Coil Resistance	-	

Motor Model:	GR3-CI-TF-256TC-2-BR-D-25
---------------------	----------------------------------

Performance Load Values:

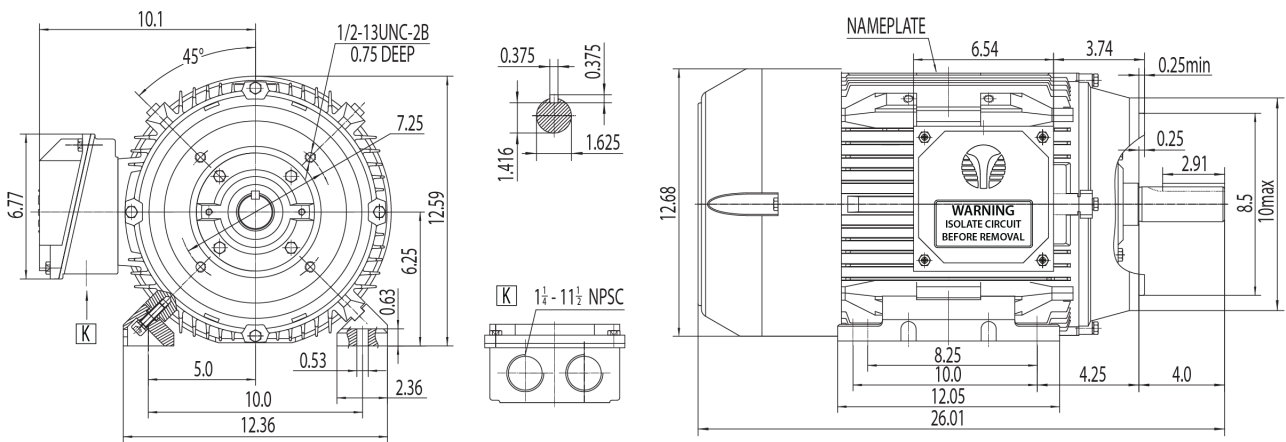
% Load	Horsepower	Current, Amps	Input power, Kilowatts	Speed, RPM	Efficiency	PF
0	12.5	-	-	-	-	-
25	12.5	-	-	-	-	-
50	12.5	-	-	-	-	-
75	18.75	-	-	-	-	-
100	25.0	-	-	-	-	-
125	12.5	-	-	-	-	-
150	12.5	-	-	-	-	-
SF	-	-	-	-	-	-

	Torque, Lb-Ft	% Full Load Torque	Speed, RPM	Current Amps.
Locked Rotor Torque	-	-	-	-
Pull Up Torque	-	-	-	-
Breakdown Torque	-	-	-	-
Full Load	-	100.0	-	-

Speed Torque Curve

Please contact Techtop for image.

Dimensional Drawing



Dimensions are for reference only. Allowance should be made for minor deviations in non standard specified properties.

3D Image Link: Not available for this motor