

Techtop Industries Nameplate and Performance Data

NAMEPLATE DATA		
	60 Hz	50 Hz
Horsepower	25.0	25.0
Frame Size	284TSC	
Speed, RPM	3550	2930
Voltage	230/460	190/380
# Phase	3	
Full Load Amps	60.06/30.03	68.4/34.2
Power Factor	0.89	-
Nominal Efficiency	91.7	89.0
3/4 Load Efficiency	-	-
Service Factor	1.25	1.0
Duty	Cont. / S1	
FL Temp Rise °C	56.0	-
Enclosure	TEFC	
Ambient Temp °C	40	
KVA Code	M	F
FL Amps. @ 208 V	66.4151	-
Insulation Class	F	
NEMA Design	A	
Weight	353.902	
DE Bearing	6311C3	
NDE Bearing	6311C3	
dB No-Load	-	
Rotor Wk ² , Lb-Ft ²	-	
Start Capacitor	-	
Start Capacitor V	-	
Run Capacitor	-	
Run Capacitor V	-	
Number of Leads	12	
Connection	??/?	
Coil Resistance	-	

Motor Model:	GR3-CI-TF-284TSC-2-BR-D-25
---------------------	-----------------------------------

Performance Load Values:

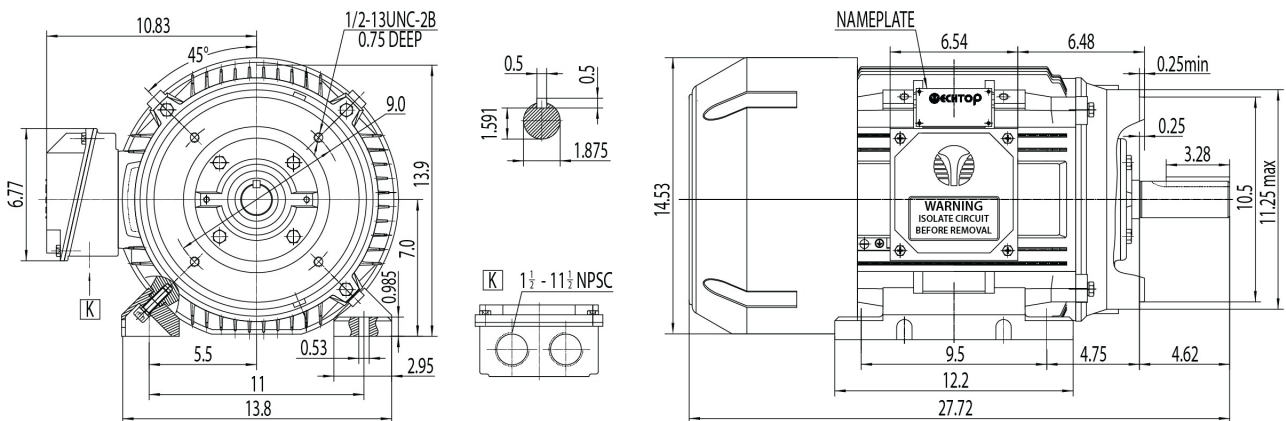
% Load	Horsepower	Current, Amps	Input power, Kilowatts	Speed, RPM	Efficiency	PF
0	-	12.34	-	-	-	-
25	6.25	13.71	5.6	3591.4	83.02	0.51
50	12.5	18.36	10.39	3582.8	89.54	0.71
75	18.75	23.72	15.26	3573.7	91.42	0.81
100	25.0	29.67	20.23	3564.1	91.96	0.86
125	31.25	36.11	25.3	3554.1	91.91	0.88
150	37.5	42.93	30.48	3543.6	91.54	0.89
SF	-	-	-	-	-	-

	Torque, Lb-Ft	% Full Load Torque	Speed, RPM	Current Amps.
Locked Rotor Torque	127.93	346.0	-	353.963
Pull Up Torque	73.5782	199.0	-	-
Breakdown Torque	157.509	426.0	-	-
Full Load	36.974	100.0	3564.1	29.67

Speed Torque Curve

Please contact Techtop for image.

Dimensional Drawing



Dimensions are for reference only. Allowance should be made for minor deviations in non standard specified properties.

3D Image Link: Not available for this motor