

Techtop Industries Nameplate and Performance Data

NAMEPLATE DATA		
	60 Hz.	50 Hz.
Horsepower	40.0	40.0
Frame Size	324TS	
Speed, RPM	3560	2940
Voltage	3 Phase US	190/380
# Phase	3	
Full Load Amps	90.07/45.04	112/56
Power Factor	0.89	-
Nominal Efficiency	92.4	90.0
3/4 Load Efficiency	-	-
Service Factor	1.25	1.0
Duty	Cont. / S1	
FL Temp Rise °C	67.0	-
Enclosure	TEFC	
Ambient Temp °C	40	
KVA Code	H	F
FL Amps. @ 208 V	99.6002	-
Insulation Class	F	
NEMA Design	A	
Weight	485.1	
DE Bearing	6312C3	
NDE Bearing	6312C3	
dB No-Load	-	
Rotor Wk ² , Lb-Ft ²	-	
Start Capacitor		
Start Capacitor V	-	
Run Capacitor		
Run Capacitor V	-	
Number of Leads	12	
Connection	??/?	
Coil Resistance	0.32245	

Motor Model:	GR3-CI-TF-324TS-2-BR-D-40
--------------	---------------------------

Performance Load Values:

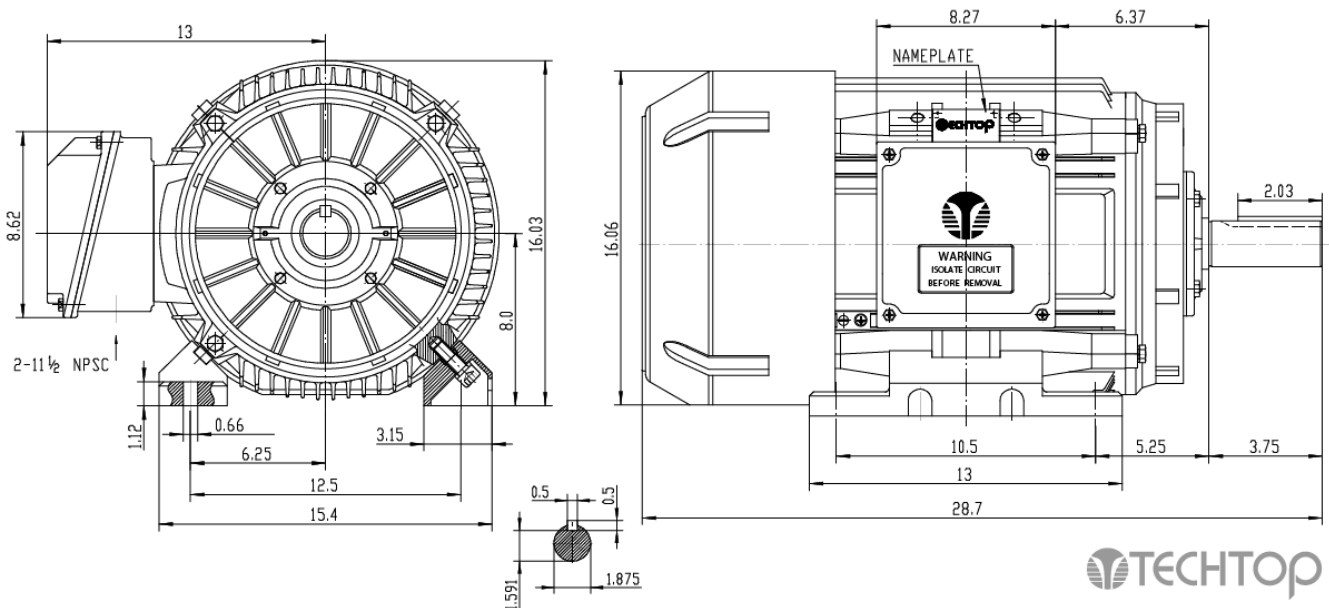
% Load	Horsepower	Current, Amps	Input power, Kilowatts	Speed, RPM	Efficiency	PF
0	20.0	12.48	-	-	-	-
25	20.0	16.87	8.88	3588.8	84.46	0.66
50	20.0	25.43	16.6	3578.7	90.37	0.82
75	30.0	35.03	24.46	3567.6	91.99	0.88
100	40.0	45.56	32.49	3555.4	92.34	0.9
125	20.0	56.88	40.71	3542.2	92.13	0.9
150	20.0	68.89	49.13	3527.8	91.59	0.9
SF	-	-	-	-	-	-

	Torque, Lb-Ft	% Full Load Torque	Speed, RPM	Current Amps.
Locked Rotor Torque	140.239	235.0	-	756.0
Pull Up Torque	74.5952	125.0	-	-
Breakdown Torque	140.836	236.0	-	-
Full Load	59.6762	100.0	3555.4	45.56

Speed Torque Curve

Please contact Techtop for image.

Dimensional Drawing



Dimensions are for reference only. Allowance should be made for minor deviations in non standard specified properties.

3D Image Link: Not available for this motor