

NAMEPLATE DATA		
	60 Hz	50 Hz
Horsepower	30.0	30.0
Frame Size	326T	
Speed, RPM	1180	-
Voltage	575	-
# Phase	3	
Full Load Amps	29.11190124	-
Power Factor	0.82	-
Nominal Efficiency	93.0	-
3/4 Load Efficiency	-	-
Service Factor	1.25	1.0
Duty	Cont. / S1	
FL Temp Rise °C	63.0	-
Enclosure	TEFC	
Ambient Temp °C	40	
KVA Code	M	-
FL Amps. @ 208 V	-	-
Insulation Class	F	
NEMA Design	A	
Weight	648.27	
DE Bearing	6312C3	
NDE Bearing	6312C3	
dB No-Load	-	
Rotor Wk ² , Lb-Ft ²	-	
Start Capacitor	-	
Start Capacitor V	-	
Run Capacitor	-	
Run Capacitor V	-	
Number of Leads	6	
Connection	?	
Coil Resistance	-	

Motor Model:	GR3-CI-TF-326T-6-BR-F-30
---------------------	---------------------------------

Performance Load Values:

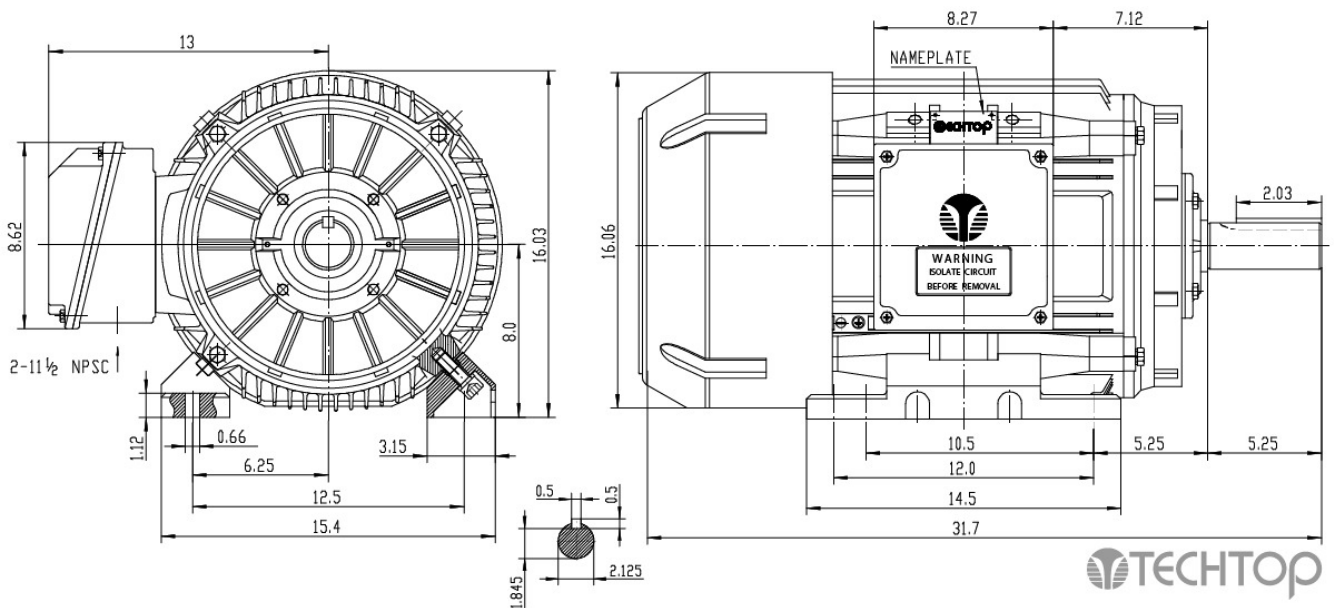
% Load	Horsepower	Current, Amps	Input power, Kilowatts	Speed, RPM	Efficiency	PF
0	-	17.02	-	-	-	-
25	7.5	18.23	6.31	1196.0	88.29	0.43
50	15.0	23.42	12.07	1192.5	92.38	0.65
75	22.5	29.7	17.94	1188.6	93.22	0.76
100	30.0	36.9	23.95	1184.5	93.12	0.81
125	37.5	44.85	30.1	1179.9	92.6	0.84
150	45.0	53.36	36.42	1175.1	91.84	0.86
SF	-	-	-	-	-	-

	Torque, Lb-Ft	% Full Load Torque	Speed, RPM	Current Amps.
Locked Rotor Torque	406.285	302.0	-	407.376
Pull Up Torque	216.595	161.0	-	-
Breakdown Torque	495.075	368.0	-	-
Full Load	134.531	100.0	1184.5	36.9

Speed Torque Curve

Please contact Techtop for image.

Dimensional Drawing



Dimensions are for reference only. Allowance should be made for minor deviations in non standard specified properties.

3D Image Link: Not available for this motor