

Techtop Industries Nameplate and Performance Data

NAMEPLATE DATA		
	60 Hz	50 Hz
Horsepower	50.0	50.0
Frame Size	326TC	
Speed, RPM	1770	1460
Voltage	230/460	190/380
# Phase	3	
Full Load Amps	117.95/58.98	136/68
Power Factor	0.87	-
Nominal Efficiency	94.5	91.5
3/4 Load Efficiency	-	-
Service Factor	1.25	1.0
Duty	Cont. / S1	
FL Temp Rise °C	82.0	-
Enclosure	TEFC	
Ambient Temp °C	40	
KVA Code	K	E
FL Amps. @ 208 V	130.429	-
Insulation Class	F	
NEMA Design	A	
Weight	600.862	
DE Bearing	6312C3	
NDE Bearing	6312C3	
dB No-Load	-	
Rotor Wk ² , Lb-Ft ²	-	
Start Capacitor	-	
Start Capacitor V	-	
Run Capacitor	-	
Run Capacitor V	-	
Number of Leads	12	
Connection	??/?	
Coil Resistance	-	

Motor Model:	GR3-CI-TF-326TC-4-BR-D-50
---------------------	----------------------------------

Performance Load Values:

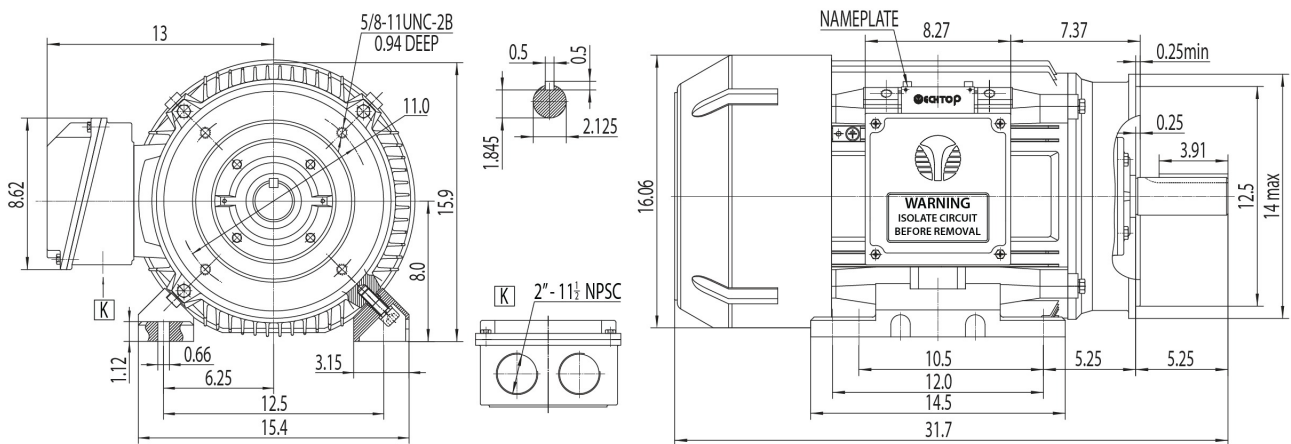
% Load	Horsepower	Current, Amps	Input power, Kilowatts	Speed, RPM	Efficiency	PF
0	-	26.53	-	-	-	-
25	12.5	30.25	11.84	1795.2	90.58	0.49
50	25.0	40.19	22.87	1790.5	93.78	0.71
75	37.5	52.63	34.12	1785.5	94.29	0.81
100	50.0	67.01	45.63	1780.2	94.03	0.85
125	62.5	82.79	57.41	1774.4	93.41	0.87
150	75.0	99.41	69.48	1768.2	92.62	0.88
SF	-	-	-	-	-	-

	Torque, Lb-Ft	% Full Load Torque	Speed, RPM	Current Amps.
Locked Rotor Torque	506.56	299.0	-	613.812
Pull Up Torque	333.754	197.0	-	-
Breakdown Torque	520.113	307.0	-	-
Full Load	169.418	100.0	1780.2	67.01

Speed Torque Curve

Please contact Techtop for image.

Dimensional Drawing



Dimensions are for reference only. Allowance should be made for minor deviations in non standard specified properties.

3D Image Link: Not available for this motor