

## Techtop Industries Nameplate and Performance Data

NAMEPLATE DATA		
	60 Hz.	50 Hz.
Horsepower	50.0	50.0
Frame Size	326TS	
Speed, RPM	3560	2940
Voltage	3 Phase US	190/380
# Phase	3	
Full Load Amps	113.12/56.56	141/70.5
Power Factor	0.9	-
Nominal Efficiency	93.0	91.2
3/4 Load Efficiency	-	-
Service Factor	1.25	1.0
Duty	Cont. / S1	
FL Temp Rise °C	63.0	-
Enclosure	TEFC	
Ambient Temp °C	40	
KVA Code	H	F
FL Amps. @ 208 V	125.087	-
Insulation Class	F	
NEMA Design	A	
Weight	529.2	
DE Bearing	6312C3	
NDE Bearing	6312C3	
dB No-Load	-	
Rotor Wk <sup>2</sup> , Lb-Ft <sup>2</sup>	-	
Start Capacitor		
Start Capacitor V	-	
Run Capacitor		
Run Capacitor V	-	
Number of Leads	12	
Connection	??/?	
Coil Resistance	0.15	

<b>Motor Model:</b>	<b>GR3-CI-TF-326TS-2-BR-D-50</b>
---------------------	----------------------------------

Performance Load Values:

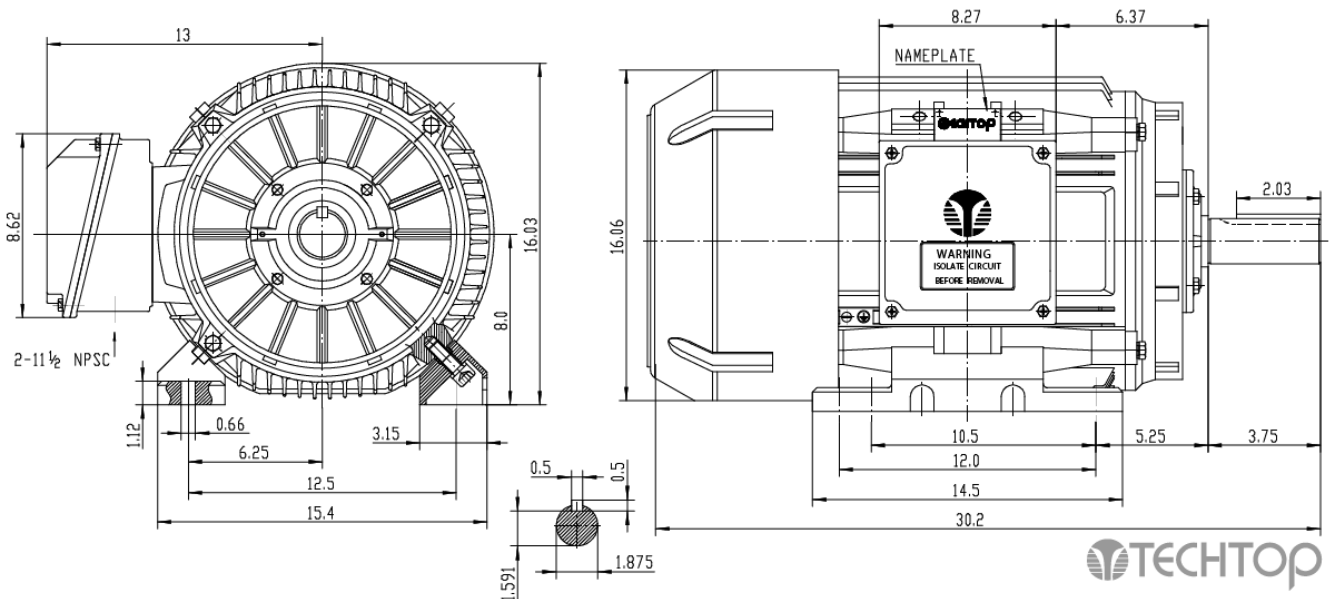
% Load	Horsepower	Current, Amps	Input power, Kilowatts	Speed, RPM	Efficiency	PF
0	25.0	15.79	-	-	-	-
25	25.0	20.77	10.58	3591.0	88.13	0.64
50	25.0	31.09	20.14	3582.2	92.58	0.81
75	37.5	42.8	29.87	3572.7	93.66	0.88
100	50.0	55.69	39.78	3562.4	93.76	0.9
125	25.0	69.53	49.9	3551.4	93.44	0.9
150	25.0	84.1	60.24	3539.5	92.88	0.9
SF	-	-	-	-	-	-

	Torque, Lb-Ft	% Full Load Torque	Speed, RPM	Current Amps.
Locked Rotor Torque	227.048	306.0	-	839.0
Pull Up Torque	128.364	173.0	-	-
Breakdown Torque	225.564	304.0	-	-
Full Load	74.1988	100.0	3562.4	55.69

### Speed Torque Curve

Please contact Techtop for image.

### Dimensional Drawing



Dimensions are for reference only. Allowance should be made for minor deviations in non standard specified properties.

3D Image Link: Not available for this motor