

Techtop Industries Nameplate and Performance Data

NAMEPLATE DATA		
	60 Hz.	50 Hz.
Horsepower	40.0	40.0
Frame Size	364TC	
Speed, RPM	1180	980
Voltage	3 Phase US	190/380
# Phase	3	
Full Load Amps	93.65/46.82	113/56.5
Power Factor	0.84	-
Nominal Efficiency	94.1	92.5
3/4 Load Efficiency	-	-
Service Factor	1.15	1.0
Duty	Cont. / S1	
FL Temp Rise °C	-	-
Enclosure	TEFC	
Ambient Temp °C	40	
KVA Code	J	E
FL Amps. @ 208 V	103.554	-
Insulation Class	F	
NEMA Design	A	
Weight	725.445	
DE Bearing	6313C3	
NDE Bearing	6313C3	
dB No-Load	-	
Rotor Wk ² , Lb-Ft ²	-	
Start Capacitor		
Start Capacitor V	-	
Run Capacitor		
Run Capacitor V	-	
Number of Leads	12	
Connection	??/?	
Coil Resistance	0.31236	

Motor Model:	GR3-CI-TF-364TC-6-BR-D-40
---------------------	----------------------------------

Performance Load Values:

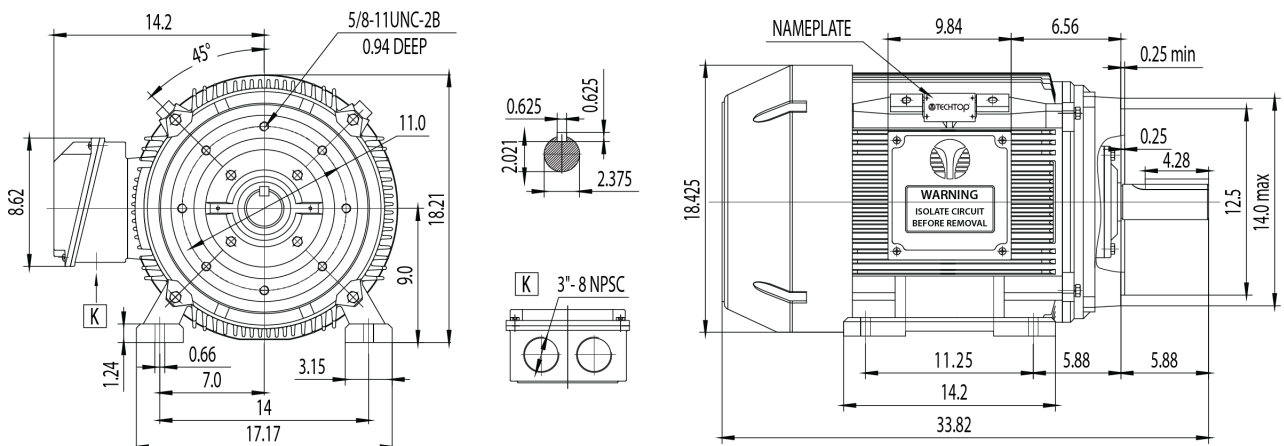
% Load	Horsepower	Current, Amps	Input power, Kilowatts	Speed, RPM	Efficiency	PF
0	20.0	16.39	-	-	-	-
25	20.0	-	-	-	-	-
50	20.0	-	-	-	-	-
75	30.0	-	-	-	-	-
100	40.0	-	-	-	-	-
125	20.0	-	-	-	-	-
150	20.0	-	-	-	-	-
SF	-	-	-	-	-	-

	Torque, Lb-Ft	% Full Load Torque	Speed, RPM	Current Amps.
Locked Rotor Torque	-	-	-	-
Pull Up Torque	-	-	-	-
Breakdown Torque	-	-	-	-
Full Load	-	100.0	1185.0	-

Speed Torque Curve

Please contact Techtop for image.

Dimensional Drawing



Dimensions are for reference only. Allowance should be made for minor deviations in non standard specified properties.

3D Image Link: Not available for this motor