

NAMEPLATE DATA		
	60 Hz	50 Hz
Horsepower	50.0	50.0
Frame Size	365T	
Speed, RPM	1180	-
Voltage	575	-
# Phase	3	
Full Load Amps	47.95265347	-
Power Factor	0.84	-
Nominal Efficiency	94.1	-
3/4 Load Efficiency	-	-
Service Factor	1.15	1.0
Duty	Cont. / S1	
FL Temp Rise °C	66.0	-
Enclosure	TEFC	
Ambient Temp °C	40	
KVA Code	H	-
FL Amps. @ 208 V	-	-
Insulation Class	F	
NEMA Design	A	
Weight	791.595	
DE Bearing	6313C3	
NDE Bearing	6313C3	
dB No-Load	-	
Rotor Wk ² , Lb-Ft ²	-	
Start Capacitor	-	
Start Capacitor V	-	
Run Capacitor	-	
Run Capacitor V	-	
Number of Leads	6	
Connection	?	
Coil Resistance	-	

Motor Model:	GR3-CI-TF-365T-6-BR-F-50
---------------------	---------------------------------

Performance Load Values:

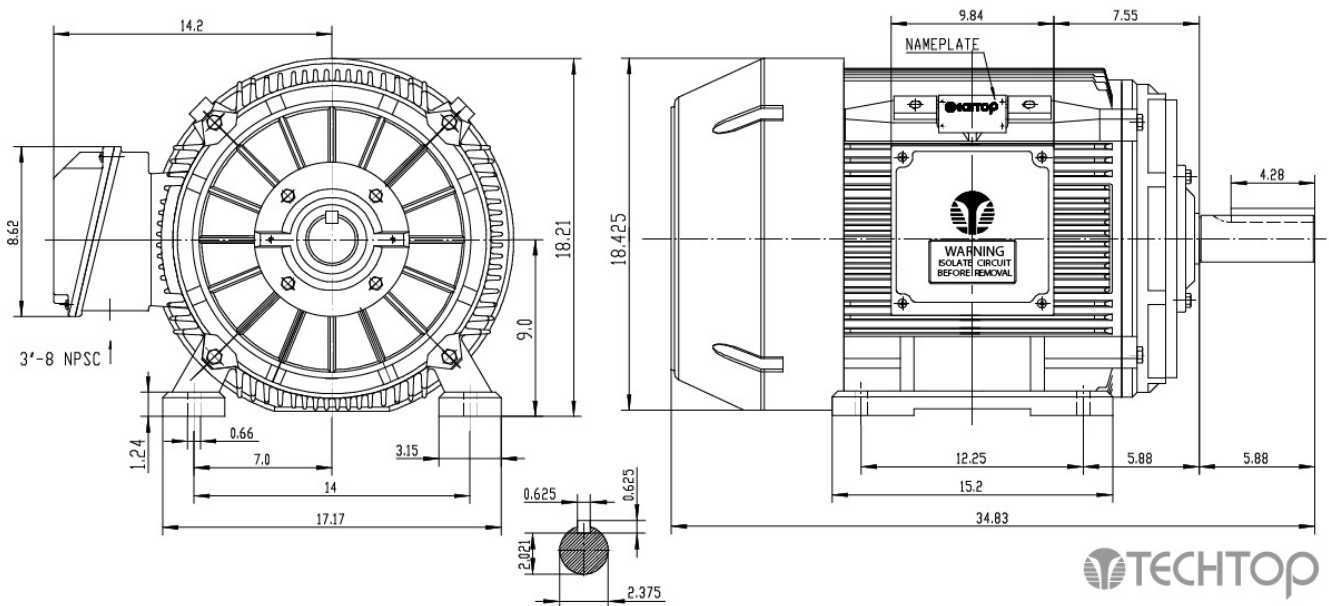
% Load	Horsepower	Current, Amps	Input power, Kilowatts	Speed, RPM	Efficiency	PF
0	-	22.36	-	-	-	-
25	12.5	25.93	10.41	1196.8	89.62	0.5
50	25.0	34.69	19.98	1193.9	93.37	0.72
75	37.5	45.51	29.72	1190.7	94.14	0.82
100	50.0	57.9	39.65	1187.3	94.07	0.86
125	62.5	71.36	49.8	1183.7	93.63	0.88
150	75.0	85.38	60.16	1179.9	93.0	0.88
SF	-	-	-	-	-	-

	Torque, Lb-Ft	% Full Load Torque	Speed, RPM	Current Amps.
Locked Rotor Torque	668.461	301.0	-	550.05
Pull Up Torque	406.406	183.0	-	-
Breakdown Torque	708.435	319.0	-	-
Full Load	222.08	100.0	1187.3	57.9

Speed Torque Curve

Please contact Techtop for image.

Dimensional Drawing



Dimensions are for reference only. Allowance should be made for minor deviations in non standard specified properties.

3D Image Link: Not available for this motor