

## Techtop Industries Nameplate and Performance Data

NAMEPLATE DATA		
	60 Hz.	50 Hz.
Horsepower	60.0	60.0
Frame Size	404TC	
Speed, RPM	1185	980
Voltage	3 Phase US	190/380
# Phase	3	
Full Load Amps	141.54/70.77	166/83
Power Factor	0.85	-
Nominal Efficiency	94.5	92.5
3/4 Load Efficiency	-	-
Service Factor	1.15	1.0
Duty	Cont. / S1	
FL Temp Rise °C	64.0	-
Enclosure	TEFC	
Ambient Temp °C	40	
KVA Code	J	E
FL Amps. @ 208 V	-	-
Insulation Class	F	
NEMA Design	A	
Weight	975.713	
DE Bearing	NU316	
NDE Bearing	6314C3	
dB No-Load	-	
Rotor Wk <sup>2</sup> , Lb-Ft <sup>2</sup>	-	
Start Capacitor		
Start Capacitor V	-	
Run Capacitor		
Run Capacitor V	-	
Number of Leads	12	
Connection	??/?	
Coil Resistance	0.15684	

<b>Motor Model:</b>	<b>GR3-CI-TF-404TC-6-RR-D-60</b>
---------------------	----------------------------------

Performance Load Values:

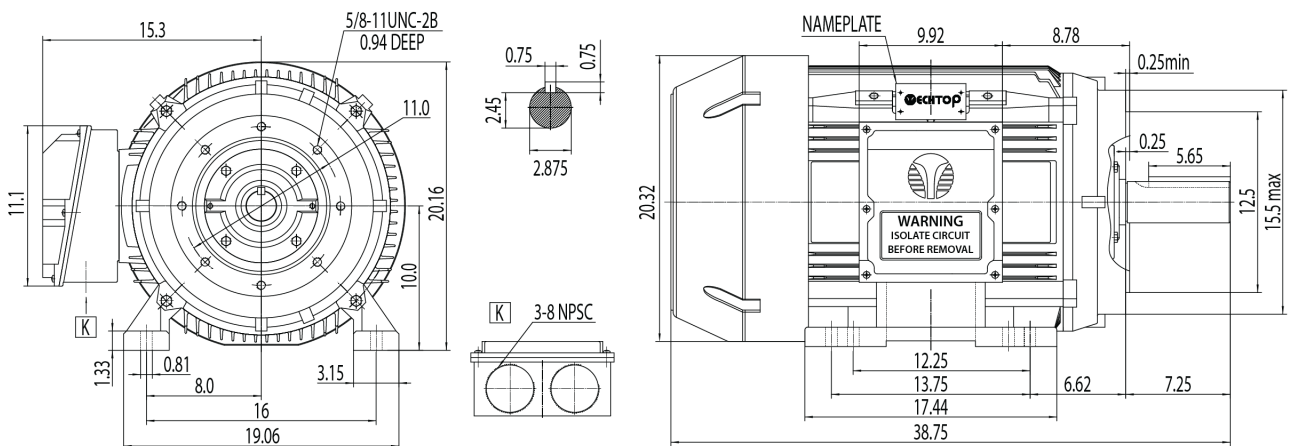
% Load	Horsepower	Current, Amps	Input power, Kilowatts	Speed, RPM	Efficiency	PF
0	30.0	24.92	-	-	-	-
25	30.0	29.93	12.66	1196.9	88.86	0.53
50	30.0	40.96	24.18	1193.9	93.05	0.74
75	45.0	54.47	35.88	1190.5	94.06	0.83
100	60.0	69.89	47.8	1186.9	94.14	0.86
125	30.0	79.81	55.06	1184.6	93.99	0.87
150	30.0	86.63	59.95	1183.1	93.83	0.87
SF	-	-	-	-	-	-

	Torque, Lb-Ft	% Full Load Torque	Speed, RPM	Current Amps.
Locked Rotor Torque	636.28	237.0	-	789.0
Pull Up Torque	338.276	126.0	-	-
Breakdown Torque	644.334	240.0	-	-
Full Load	268.473	100.0	1186.9	69.89

### Speed Torque Curve

Please contact Techtop for image.

### Dimensional Drawing



Dimensions are for reference only. Allowance should be made for minor deviations in non standard specified properties.

3D Image Link: Not available for this motor