

Techtop Industries Nameplate and Performance Data

NAMEPLATE DATA		
	60 Hz.	50 Hz.
Horsepower	100.0	100.0
Frame Size	405T	
Speed, RPM	1780	1480
Voltage	3 Phase US	190/380
# Phase	3	
Full Load Amps	230.93/115.47	270/135
Power Factor	0.86	-
Nominal Efficiency	95.4	93.4
3/4 Load Efficiency	-	-
Service Factor	1.15	1.0
Duty	Cont. / S1	
FL Temp Rise °C	70.0	-
Enclosure	TEFC	
Ambient Temp °C	40	
KVA Code	K	E
FL Amps. @ 208 V	-	-
Insulation Class	F	
NEMA Design	A	
Weight	1025.32	
DE Bearing	6316C3	
NDE Bearing	6314C3	
dB No-Load	-	
Rotor Wk ² , Lb-Ft ²	-	
Start Capacitor		
Start Capacitor V	-	
Run Capacitor		
Run Capacitor V	-	
Number of Leads	12	
Connection	??/?	
Coil Resistance	0.085582	

Motor Model:	GR3-CI-TF-405T-4-BR-D-100
--------------	---------------------------

Performance Load Values:

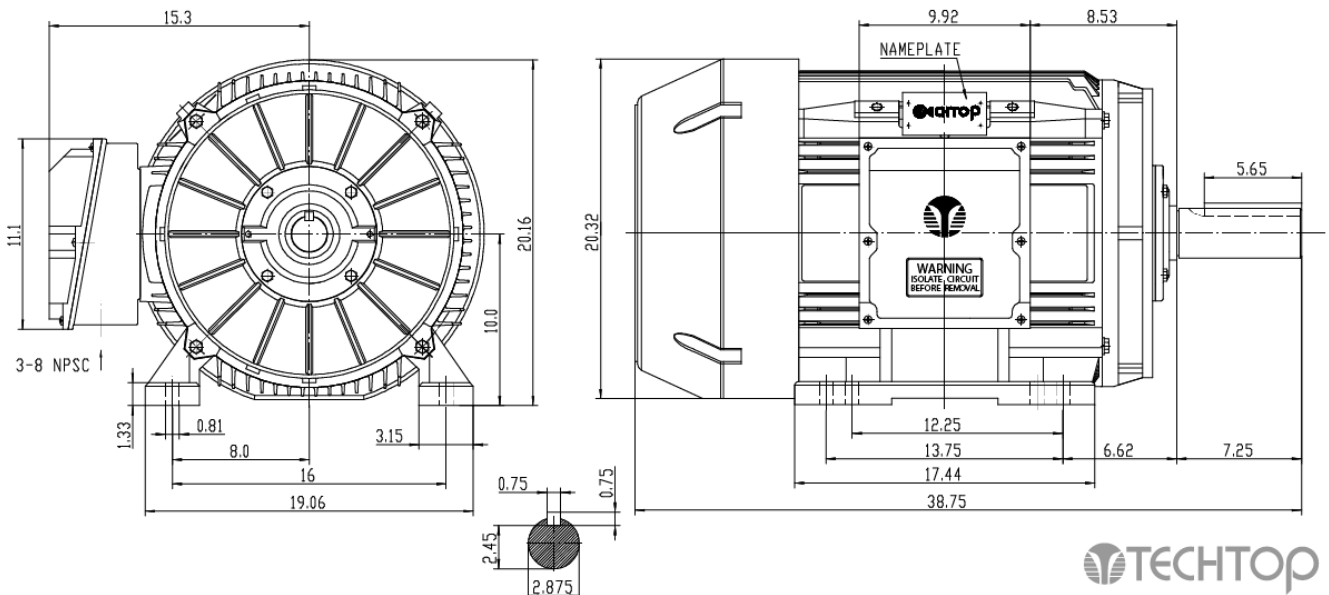
% Load	Horsepower	Current, Amps	Input power, Kilowatts	Speed, RPM	Efficiency	PF
0	50.0	41.22	-	-	-	-
25	50.0	48.74	20.43	1796.0	91.8	0.53
50	50.0	65.67	39.58	1791.9	94.75	0.76
75	75.0	87.99	59.03	1787.6	95.29	0.84
100	100.0	113.85	78.83	1783.1	95.15	0.87
125	50.0	141.43	98.97	1778.3	94.72	0.88
150	50.0	168.89	119.46	1773.2	94.17	0.89
SF	-	-	-	-	-	-

	Torque, Lb-Ft	% Full Load Torque	Speed, RPM	Current Amps.
Locked Rotor Torque	976.789	332.0	-	993.0
Pull Up Torque	291.271	99.0	-	-
Breakdown Torque	453.089	154.0	-	-
Full Load	294.214	100.0	1783.1	113.8

Speed Torque Curve

Please contact Techtop for image.

Dimensional Drawing



Dimensions are for reference only. Allowance should be made for minor deviations in non standard specified properties.

3D Image Link: Not available for this motor