

## Techtop Industries Nameplate and Performance Data

NAMEPLATE DATA		
	60 Hz.	50 Hz.
Horsepower	75.0	75.0
Frame Size	405TC	
Speed, RPM	1185	980
Voltage	3 Phase US	190/380
# Phase	3	
Full Load Amps	172.81/86.41	208/104
Power Factor	0.86	-
Nominal Efficiency	94.5	92.5
3/4 Load Efficiency	-	-
Service Factor	1.15	1.0
Duty	Cont. / S1	
FL Temp Rise °C	65.0	-
Enclosure	TEFC	
Ambient Temp °C	40	
KVA Code	H	E
FL Amps. @ 208 V	-	-
Insulation Class	F	
NEMA Design	A	
Weight	1045.17	
DE Bearing	NU316	
NDE Bearing	6314C3	
dB No-Load	-	
Rotor Wk <sup>2</sup> , Lb-Ft <sup>2</sup>	-	
Start Capacitor		
Start Capacitor V	-	
Run Capacitor		
Run Capacitor V	-	
Number of Leads	12	
Connection	??/?	
Coil Resistance	0.12706	

<b>Motor Model:</b>	<b>GR3-CI-TF-405TC-6-RR-D-75</b>
---------------------	----------------------------------

Performance Load Values:

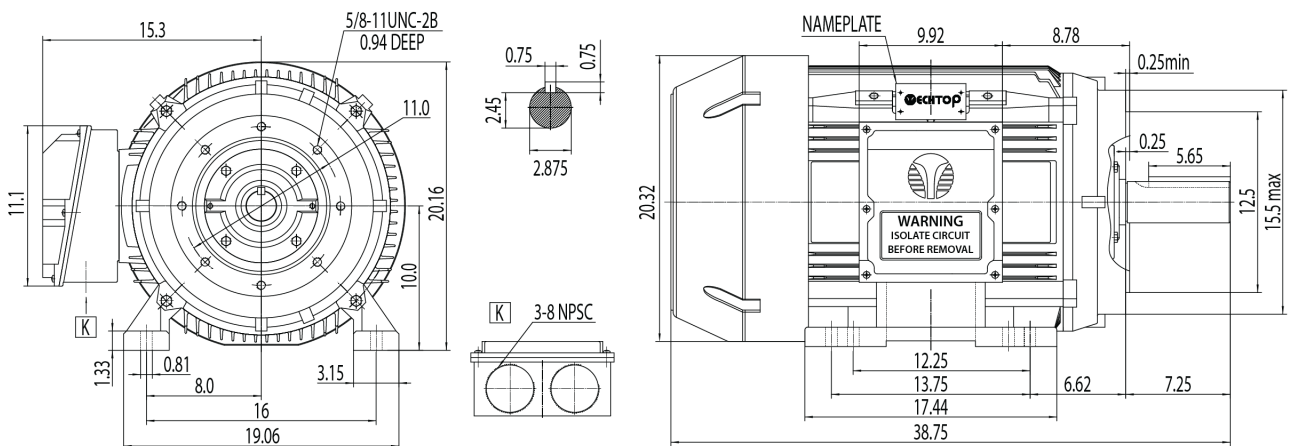
% Load	Horsepower	Current, Amps	Input power, Kilowatts	Speed, RPM	Efficiency	PF
0	37.5	28.81	-	-	-	-
25	37.5	33.99	15.12	1197.0	90.93	0.56
50	37.5	48.23	29.24	1194.2	94.05	0.76
75	56.25	65.25	43.62	1191.1	94.57	0.84
100	75.0	84.69	58.31	1187.6	94.33	0.86
125	37.5	106.15	73.34	1183.7	93.74	0.87
150	37.5	129.25	88.77	1179.5	92.94	0.86
SF	-	-	-	-	-	-

	Torque, Lb-Ft	% Full Load Torque	Speed, RPM	Current Amps.
Locked Rotor Torque	715.421	220.0	-	764.0
Pull Up Torque	419.497	129.0	-	-
Breakdown Torque	822.734	253.0	-	-
Full Load	325.191	100.0	1187.6	84.69

### Speed Torque Curve

Please contact Techtop for image.

### Dimensional Drawing



Dimensions are for reference only. Allowance should be made for minor deviations in non standard specified properties.

3D Image Link: Not available for this motor