

Techtop Industries Nameplate and Performance Data

NAMEPLATE DATA		
	60 Hz.	50 Hz.
Horsepower	100.0	100.0
Frame Size	405TS	
Speed, RPM	3570	2950
Voltage	3 Phase US	190/380
# Phase	3	
Full Load Amps	218.69/109.34	268/134
Power Factor	0.9	-
Nominal Efficiency	94.1	92.5
3/4 Load Efficiency	-	-
Service Factor	1.15	1.0
Duty	Cont. / S1	
FL Temp Rise °C	67.0	-
Enclosure	TEFC	
Ambient Temp °C	40	
KVA Code	K	E
FL Amps. @ 208 V	-	-
Insulation Class	F	
NEMA Design	A	
Weight	1020.91	
DE Bearing	6314C3	
NDE Bearing	6314C3	
dB No-Load	-	
Rotor Wk ² , Lb-Ft ²	-	
Start Capacitor		
Start Capacitor V	-	
Run Capacitor		
Run Capacitor V	-	
Number of Leads	12	
Connection	??/?	
Coil Resistance	0.080509	

Motor Model:	GR3-CI-TF-405TS-2-BR-D-100
---------------------	-----------------------------------

Performance Load Values:

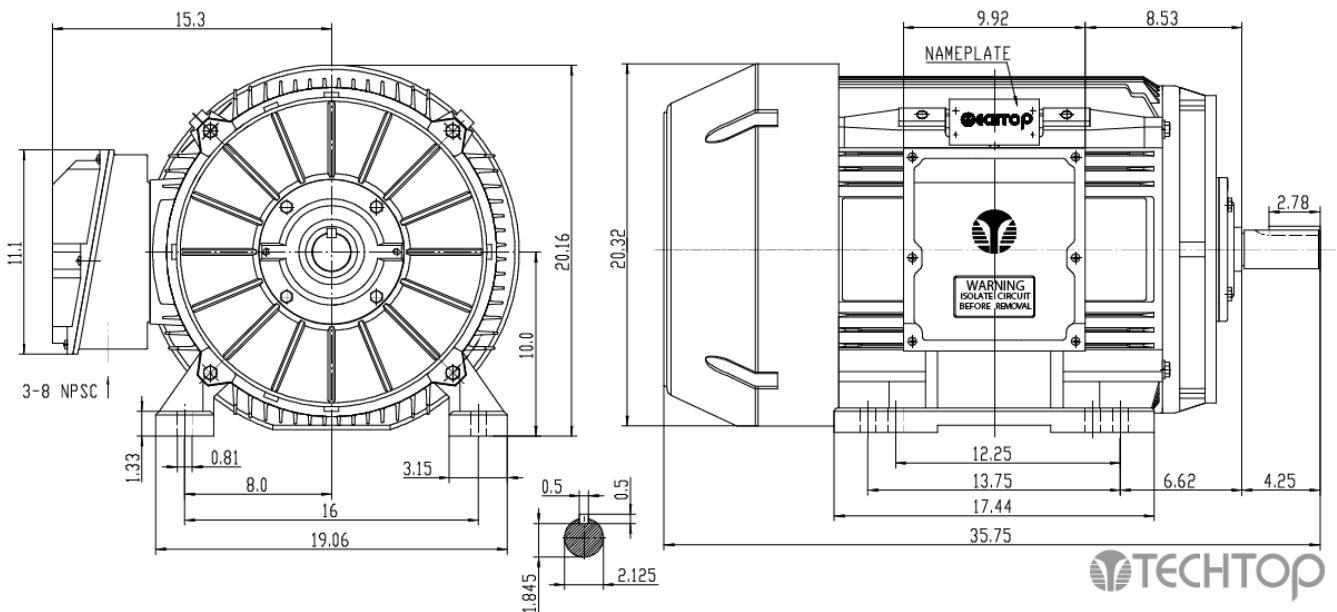
% Load	Horsepower	Current, Amps	Input power, Kilowatts	Speed, RPM	Efficiency	PF
0	50.0	24.33	-	-	-	-
25	50.0	36.85	21.13	3592.6	88.75	0.72
50	50.0	59.11	40.34	3585.3	92.96	0.86
75	75.0	83.45	59.87	3577.4	93.96	0.9
100	100.0	109.64	79.74	3568.9	94.05	0.91
125	50.0	137.44	100.0	3559.8	93.75	0.91
150	50.0	166.62	120.67	3550.1	93.23	0.91
SF	-	-	-	-	-	-

	Torque, Lb-Ft	% Full Load Torque	Speed, RPM	Current Amps.
Locked Rotor Torque	479.374	324.0	-	941.0
Pull Up Torque	303.308	205.0	-	-
Breakdown Torque	449.783	304.0	-	-
Full Load	147.955	100.0	3568.9	109.6

Speed Torque Curve

Please contact Techtop for image.

Dimensional Drawing



Dimensions are for reference only. Allowance should be made for minor deviations in non standard specified properties.

3D Image Link: Not available for this motor

Techtop Industries
2815 Colonnades Court
Peachtree Corners, GA 30071
Tel: 678-436-5540
E-Mail: info@techttopind.com