

## Techtop Industries Nameplate and Performance Data

NAMEPLATE DATA		
	60 Hz.	50 Hz.
Horsepower	100.0	100.0
Frame Size	444TC	
Speed, RPM	1180	985
Voltage	3 Phase US	190/380
# Phase	3	
Full Load Amps	229.21/114.6	278/139
Power Factor	0.86	-
Nominal Efficiency	95.0	93.5
3/4 Load Efficiency	-	-
Service Factor	1.15	1.0
Duty	Cont. / S1	
FL Temp Rise °C	76.0	-
Enclosure	TEFC	
Ambient Temp °C	40	
KVA Code	H	D
FL Amps. @ 208 V	-	-
Insulation Class	F	
NEMA Design	A	
Weight	1589.81	
DE Bearing	NU319	
NDE Bearing	6319C3	
dB No-Load	-	
Rotor Wk <sup>2</sup> , Lb-Ft <sup>2</sup>	-	
Start Capacitor		
Start Capacitor V		
Run Capacitor		
Run Capacitor V		
Number of Leads	12	
Connection	??/?	
Coil Resistance	-	

<b>Motor Model:</b>	<b>GR3-CI-TF-444TC-6-RR-D-100</b>
---------------------	-----------------------------------

Performance Load Values:

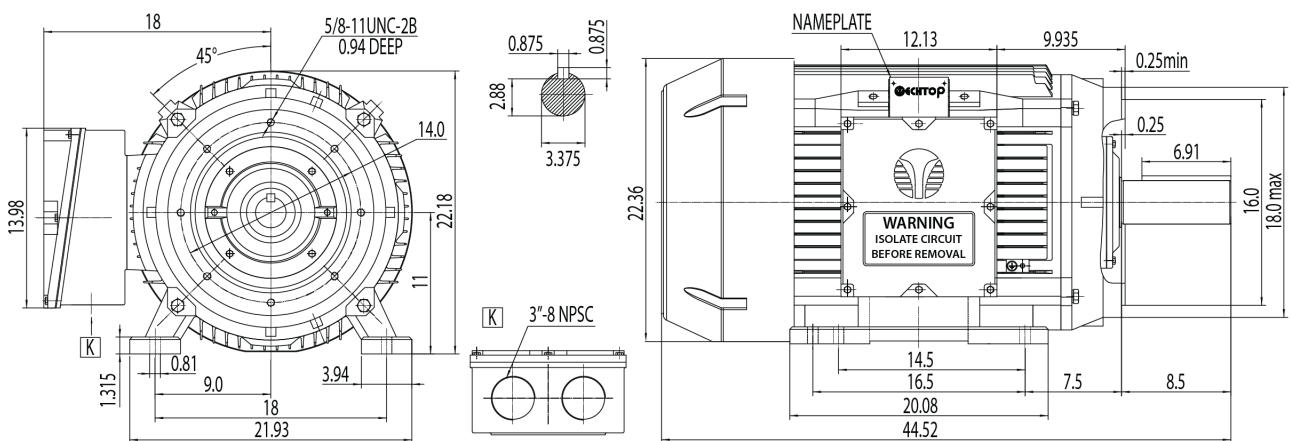
% Load	Horsepower	Current, Amps	Input power, Kilowatts	Speed, RPM	Efficiency	PF
0	50.0	33.69	-	-	-	-
25	50.0	42.21	20.42	1197.9	91.83	0.61
50	50.0	63.12	39.53	1195.9	94.86	0.79
75	75.0	86.98	58.9	1193.8	95.51	0.85
100	100.0	113.33	78.55	1191.3	95.48	0.87
125	50.0	130.16	90.49	1189.8	95.31	0.87
150	50.0	141.73	98.53	1188.7	95.15	0.87
SF	-	-	-	-	-	-

	Torque, Lb-Ft	% Full Load Torque	Speed, RPM	Current Amps.
Locked Rotor Torque	974.23	217.0	-	751.0
Pull Up Torque	682.41	152.0	-	-
Breakdown Torque	1117.9	249.0	-	-
Full Load	448.954	100.0	1191.3	113.3

### Speed Torque Curve

Please contact Techtop for image.

### Dimensional Drawing



Dimensions are for reference only. Allowance should be made for minor deviations in non standard specified properties.

3D Image Link: Not available for this motor