

## Techtop Industries Nameplate and Performance Data

NAMEPLATE DATA		
	60 Hz.	50 Hz.
Horsepower	125.0	125.0
Frame Size	445C	
Speed, RPM	1180	985
Voltage	3 Phase US	380
# Phase	3	
Full Load Amps	143.2545171	175
Power Factor	0.86	-
Nominal Efficiency	95.0	93.5
3/4 Load Efficiency	-	-
Service Factor	1.15	1.0
Duty	Cont. / S1	
FL Temp Rise °C	100.0	-
Enclosure	TEFC	
Ambient Temp °C	40	
KVA Code	J	D
FL Amps. @ 208 V	-	-
Insulation Class	F	
NEMA Design	A	
Weight	1730.93	
DE Bearing	NU319	
NDE Bearing	6319C3	
dB No-Load	-	
Rotor Wk <sup>2</sup> , Lb-Ft <sup>2</sup>	-	
Start Capacitor		
Start Capacitor V	-	
Run Capacitor		
Run Capacitor V	-	
Number of Leads	6	
Connection	?	
Coil Resistance	0.0665	

<b>Motor Model:</b>	<b>GR3-CI-TF-445TC-6-RR-E-125</b>
---------------------	-----------------------------------

Performance Load Values:

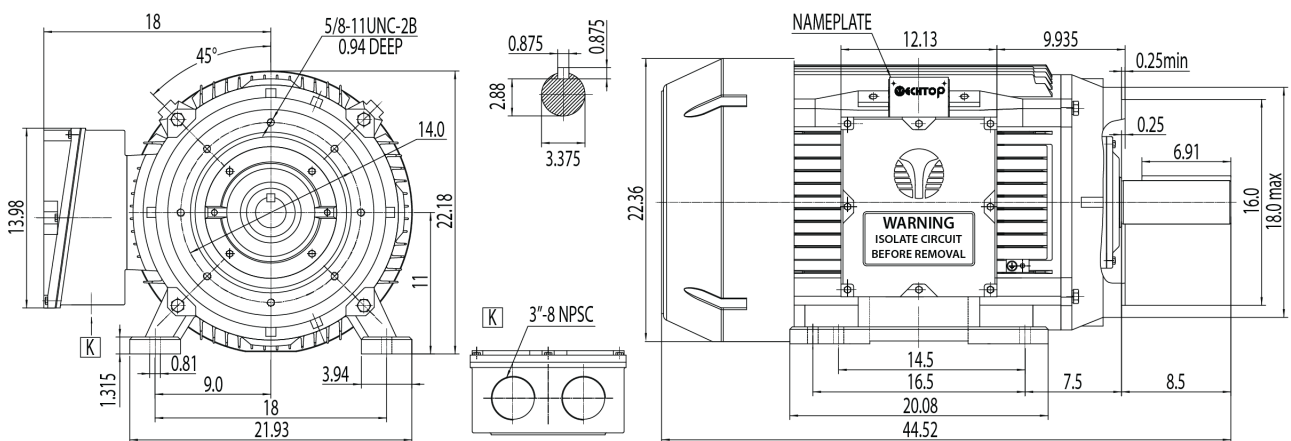
% Load	Horsepower	Current, Amps	Input power, Kilowatts	Speed, RPM	Efficiency	PF
0	62.5	62.1	-	-	-	-
25	62.5	73.09	30.01	1197.8	89.39	0.52
50	62.5	99.61	57.61	1195.7	93.12	0.73
75	93.75	132.1	85.77	1193.4	93.83	0.81
100	125.0	169.49	114.54	1191.0	93.68	0.85
125	62.5	210.69	143.98	1188.3	93.16	0.86
150	62.5	254.63	174.16	1185.4	92.42	0.86
SF	-	-	-	-	-	-

	Torque, Lb-Ft	% Full Load Torque	Speed, RPM	Current Amps.
Locked Rotor Torque	1694.37	269.0	-	853.0
Pull Up Torque	894.427	142.0	-	-
Breakdown Torque	1933.73	307.0	-	-
Full Load	629.878	100.0	1193.1	169.5

### Speed Torque Curve

Please contact Techtop for image.

### Dimensional Drawing



Dimensions are for reference only. Allowance should be made for minor deviations in non standard specified properties.

3D Image Link: Not available for this motor