

NAMEPLATE DATA		
	60 Hz.	50 Hz.
Horsepower	150.0	150.0
Frame Size	447TC	
Speed, RPM	1180	980
Voltage	3 Phase US	380
# Phase	3	
Full Load Amps	170.4698846	205
Power Factor	0.87	-
Nominal Efficiency	95.8	94.0
3/4 Load Efficiency	-	-
Service Factor	1.15	1.0
Duty	Cont. / S1	
FL Temp Rise °C	86.0	-
Enclosure	TEFC	
Ambient Temp °C	40	
KVA Code	H	E
FL Amps. @ 208 V	-	-
Insulation Class	F	
NEMA Design	A	
Weight	2041.83	
DE Bearing	NU319	
NDE Bearing	6319C3	
dB No-Load	-	
Rotor Wk ² , Lb-Ft ²	-	
Start Capacitor		
Start Capacitor V	-	
Run Capacitor		
Run Capacitor V	-	
Number of Leads	6	
Connection	?	
Coil Resistance	0.06	

Motor Model:	GR3-CI-TF-447TC-6-RR-E-150
---------------------	-----------------------------------

Performance Load Values:

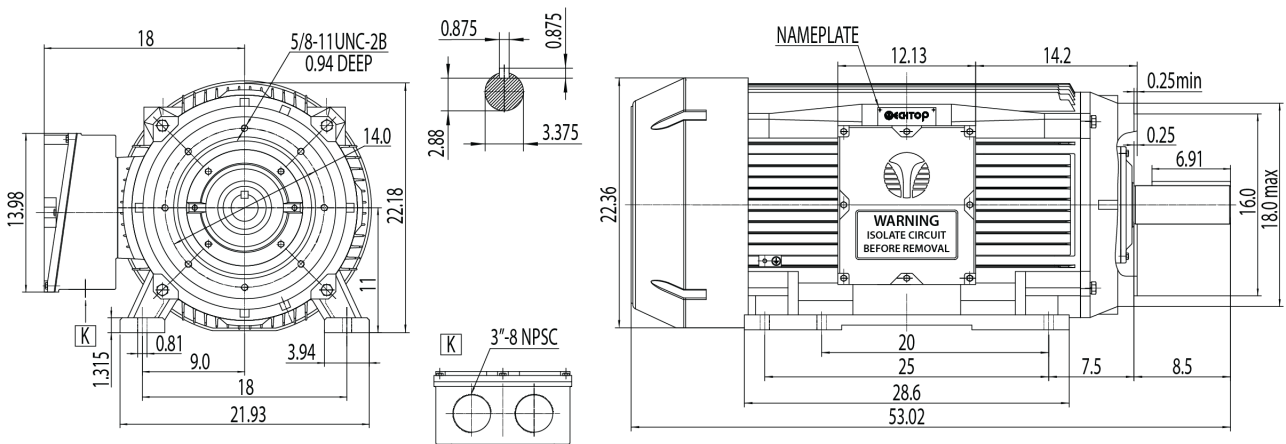
% Load	Horsepower	Current, Amps	Input power, Kilowatts	Speed, RPM	Efficiency	PF
0	75.0	84.78	-	-	-	-
25	75.0	96.55	35.54	1197.9	90.75	0.46
50	75.0	125.58	68.42	1196.0	94.27	0.68
75	112.5	162.53	101.76	1193.9	95.08	0.79
100	150.0	205.53	135.61	1191.6	95.13	0.83
125	75.0	252.72	170.0	1189.2	94.85	0.84
150	75.0	302.22	204.97	1186.6	94.4	0.85
SF	-	-	-	-	-	-

	Torque, Lb-Ft	% Full Load Torque	Speed, RPM	Current Amps.
Locked Rotor Torque	2127.76	279.0	-	847.0
Pull Up Torque	1677.81	220.0	-	-
Breakdown Torque	2547.22	334.0	-	-
Full Load	762.639	100.0	1193.4	205.5

Speed Torque Curve

Please contact Techtop for image.

Dimensional Drawing



Dimensions are for reference only. Allowance should be made for minor deviations in non standard specified properties.

3D Image Link: Not available for this motor