

## Techtop Industries Nameplate and Performance Data

NAMEPLATE DATA		
	60 Hz.	50 Hz.
<b>Horsepower</b>	250.0	250.0
<b>Frame Size</b>	449TC	
<b>Speed, RPM</b>	1780	1480
<b>Voltage</b>	3 Phase US	380
<b># Phase</b>	3	
<b>Full Load Amps</b>	273.3979781	320
<b>Power Factor</b>	0.89	-
<b>Nominal Efficiency</b>	96.2	94.5
<b>3/4 Load Efficiency</b>	-	-
<b>Service Factor</b>	1.15	1.0
<b>Duty</b>	Cont. / S1	
<b>FL Temp Rise °C</b>	94.0	-
<b>Enclosure</b>	TEFC	
<b>Ambient Temp °C</b>	40	
<b>KVA Code</b>	H	D
<b>FL Amps. @ 208 V</b>	-	-
<b>Insulation Class</b>	F	
<b>NEMA Design</b>	A	
<b>Weight</b>	2288.79	
<b>DE Bearing</b>	6319C3	
<b>NDE Bearing</b>	6319C3	
<b>dB No-Load</b>	-	
<b>Rotor Wk<sup>2</sup>, Lb-Ft<sup>2</sup></b>	-	
<b>Start Capacitor</b>		
<b>Start Capacitor V</b>	-	
<b>Run Capacitor</b>		
<b>Run Capacitor V</b>	-	
<b>Number of Leads</b>	6	
<b>Connection</b>	?	
<b>Coil Resistance</b>	0.045	

<b>Motor Model:</b>	<b>GR3-CI-TF-449TC-4-BR-E-250</b>
---------------------	-----------------------------------

Performance Load Values:

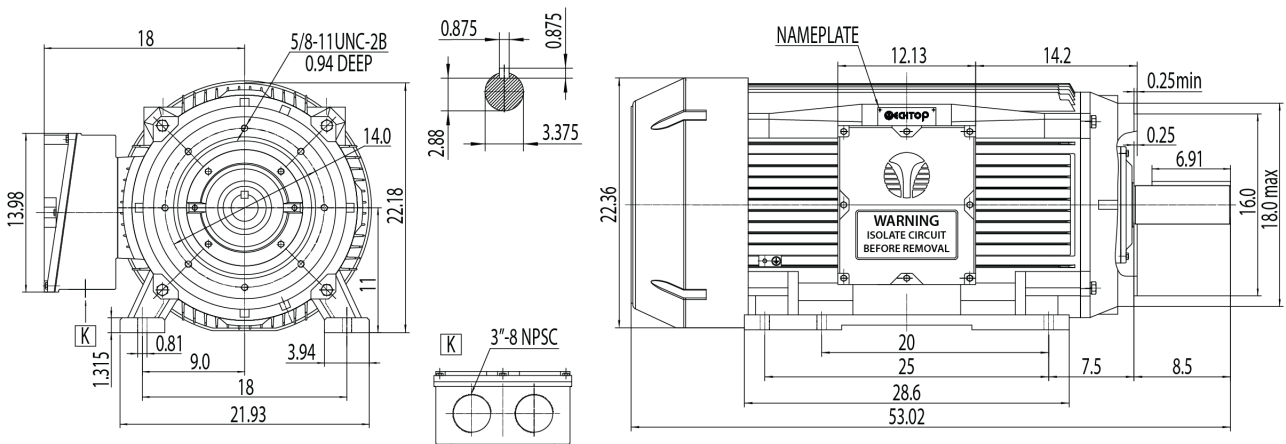
% Load	Horsepower	Current, Amps	Input power, Kilowatts	Speed, RPM	Efficiency	PF
0	125.0	88.7	-	-	-	-
25	125.0	115.46	57.1	1796.8	93.91	0.62
50	125.0	172.17	111.86	1793.7	95.88	0.82
75	187.5	238.28	167.39	1790.5	96.11	0.88
100	250.0	310.89	223.78	1787.0	95.85	0.9
125	125.0	356.38	258.04	1784.9	95.6	0.91
150	125.0	387.13	281.06	1783.4	95.4	0.91
SF	-	-	-	-	-	-

	Torque, Lb-Ft	% Full Load Torque	Speed, RPM	Current Amps.
Locked Rotor Torque	2872.23	341.0	-	956.0
Pull Up Torque	1179.21	140.0	-	-
Breakdown Torque	2922.77	347.0	-	-
Full Load	842.296	100.0	1789.9	310.9

### Speed Torque Curve

Please contact Techtop for image.

### Dimensional Drawing



Dimensions are for reference only. Allowance should be made for minor deviations in non standard specified properties.

3D Image Link: Not available for this motor