

## Techtop Industries Nameplate and Performance Data

NAMEPLATE DATA		
	60 Hz.	50 Hz.
Horsepower	200.0	200.0
Frame Size	449TC	
Speed, RPM	1180	980
Voltage	3 Phase US	380
# Phase	3	
Full Load Amps	224.6806142	277
Power Factor	0.87	-
Nominal Efficiency	95.8	94.0
3/4 Load Efficiency	-	-
Service Factor	1.15	1.0
Duty	Cont. / S1	
FL Temp Rise °C	113.0	-
Enclosure	TEFC	
Ambient Temp °C	40	
KVA Code	H	E
FL Amps. @ 208 V	-	-
Insulation Class	F	
NEMA Design	A	
Weight	2244.69	
DE Bearing	NU319	
NDE Bearing	6319C3	
dB No-Load	-	
Rotor Wk <sup>2</sup> , Lb-Ft <sup>2</sup>	-	
Start Capacitor		
Start Capacitor V	-	
Run Capacitor		
Run Capacitor V	-	
Number of Leads	6	
Connection	?	
Coil Resistance	0.0	

<b>Motor Model:</b>	<b>GR3-CI-TF-449TC-6-RR-E-200</b>
---------------------	-----------------------------------

Performance Load Values:

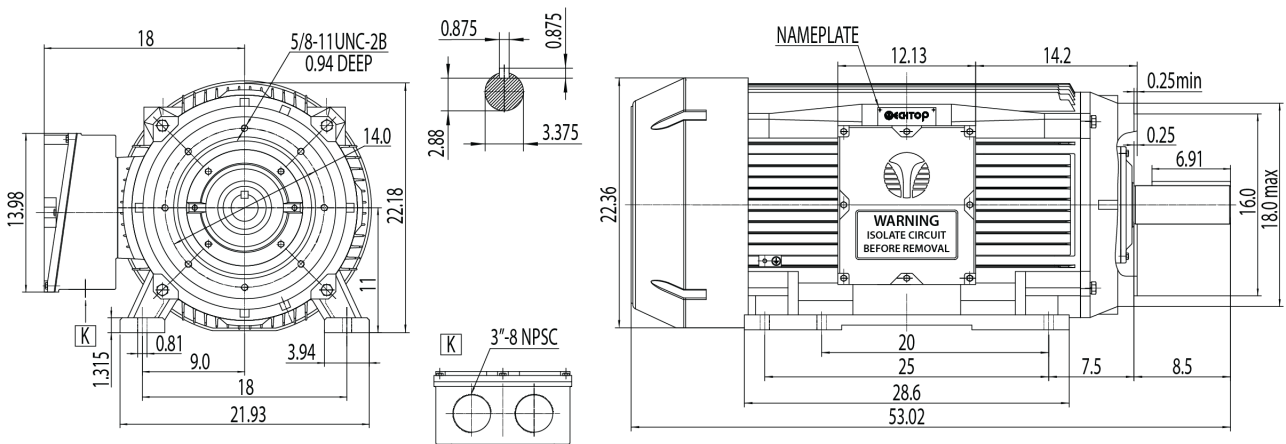
% Load	Horsepower	Current, Amps	Input power, Kilowatts	Speed, RPM	Efficiency	PF
0	100.0	86.89	-	-	-	-
25	100.0	105.68	46.68	1197.5	92.38	0.55
50	100.0	150.24	90.87	1195.1	94.92	0.76
75	150.0	203.98	135.81	1192.3	95.26	0.84
100	200.0	265.03	181.63	1189.4	94.97	0.86
125	100.0	304.38	209.57	1187.5	94.66	0.86
150	100.0	331.5	228.4	1186.2	94.41	0.86
SF	-	-	-	-	-	-

	Torque, Lb-Ft	% Full Load Torque	Speed, RPM	Current Amps.
Locked Rotor Torque	2467.2	241.0	-	772.0
Pull Up Torque	0.0	-	-	-
Breakdown Torque	3030.26	296.0	-	-
Full Load	1023.74	100.0	1191.9	265.0

### Speed Torque Curve

Please contact Techtop for image.

### Dimensional Drawing



Dimensions are for reference only. Allowance should be made for minor deviations in non standard specified properties.

3D Image Link: Not available for this motor