



Three Phase Open Enclosure

NEMA

MOTOR MODEL:	GR3-RS-OP-184TC-2-B-D-7.5
FACTORY TYPE:	-

NEMA Rolled Steel, ODP

ELECTRICAL DATA		
	60 Hz	50 Hz
Horsepower	7.5	-
Speed, RPM	3510	2865
Voltage	230/460	190/380
# Phase	3	
Full Load Amps	17.4/8.70	-
Power Factor	0.91	-
Nominal Efficiency	88.5	-
3/4 Load Efficiency	-	-
Service Factor	1.25	1.0
KVA Code	J	G
FL Amps. @ 208 V	19.3	-
LRC @ 60Hz HV	-	-
Start Capacitor	-	
Start Capacitor V	-	
Run Capacitor	-	
Run Capacitor V	-	
Number of Leads	9	
Connection	YY/Y	
Coil Resistance	0.99	
Date Code	-	
Load	Efficiency %	P.F.
50%	90.71	0.8463
75%	90.59	0.9029
100%	89.43	0.9193
FULL LOAD TEMPERATURE RISE		
FL Temp Rise °C	38.4	78.0
3D Image Link		
Not available for this motor		

GENERAL DATA		
Frame Size	184TC	
Frame Enclosure	ODP	
Mounting	Rigid	
Insulation Class	F	
Duty	Cont. / S1	
NEMA Design	-	
Frame Material	Rolled Steel	
Ingress Protection	23	
Tropicalization	true	
Cable Entry	1-NPT 3/4"	
Feet Removable	-	
Double Drilled	-	
Paint Color	Graphite Gray	
Paint RAL	7024	
Weight lb	-	
MECHANICAL DATA		
DE Bearing	6206ZZ	
NDE Bearing	6205ZZ	
dB No-Load	-	
Rotor Wk ² , Lb-Ft ²	-	
Comp Ring (wavey washer)	NDE	
TORQUE VALUES		
	Torque lb-ft	% FLT
Locked Rotor Torque	24.58	220.0
Pull-Up Torque	17.05	150.0
Breakdown Torque	33.53	300.0
Full Load Torque	11.2	100.0
SITE CONDITIONS		
Ambient Temp °C	-	
Altitude Above Sea Level m	-	

*This report valid for above Date Code and newer models, please contact Techtop for more info.



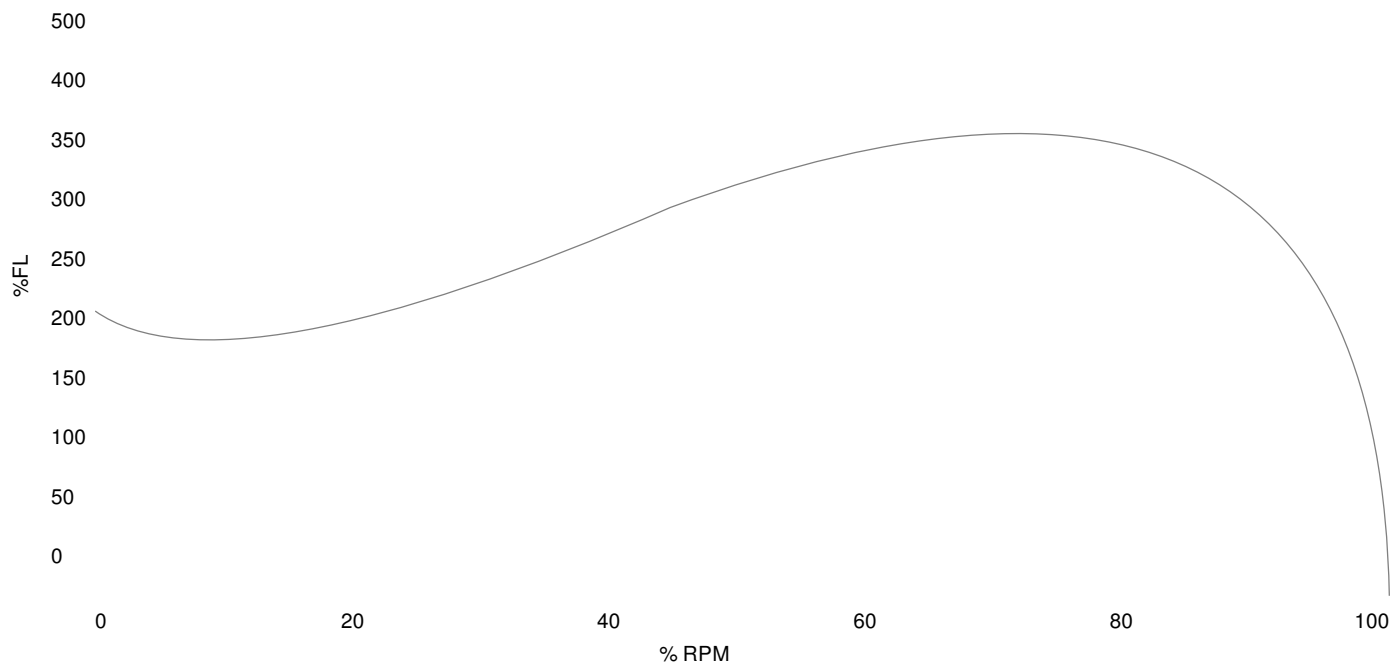
Three Phase Open Enclosure

MOTOR MODEL:	GR3-RS-OP-184TC-2-B-D-7.5
FACTORY TYPE:	-

NEMA

NEMA Rolled Steel, ODP

Torque Speed (T-n) Curve



Performance Load Values, High Voltage, 60Hz

Torque Values	Torque lb-ft	% FLT	Performance Values
Locked Rotor Torque	24.58	220.0	Start Configuration
Pull-Up Torque	17.05	150.0	Starting Current (A)
Breakdown Torque	33.53	300.0	No-Load Current (A)
Full Load	11.2	100.0	No-Load Power Factor

% Load	Horsepower	Current, Amps	Input power, Kilowatts	Speed, RPM	Efficiency	PF
0	-	-	-	-	-	-
25	-	-	-	-	-	-
50	-	-	-	-	90.71	0.8463
75	-	-	-	-	90.59	0.9029
100	-	-	-	-	89.43	0.9193
125	-	-	-	-	-	-

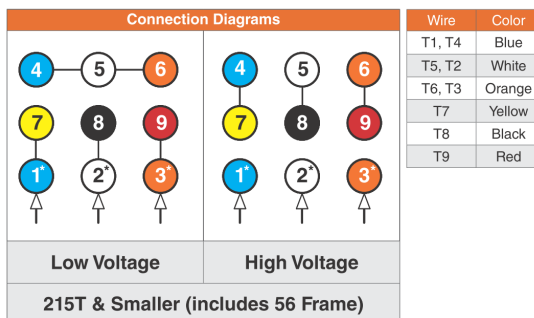
Techtop Industries
 2815 Colonnades Court
 Peachtree Corners, GA 30071
 Tel: 678-436-5540
 E-Mail: info@techttopind.com

NEMA

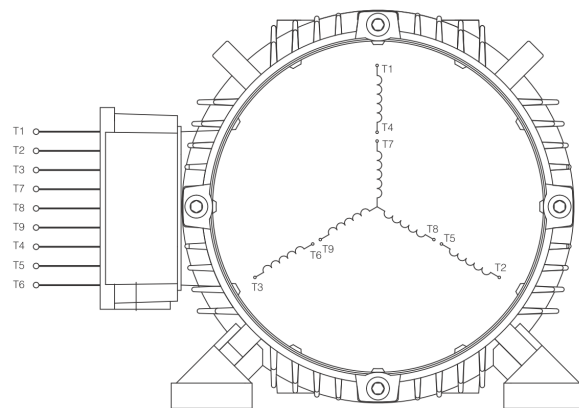
MOTOR MODEL:	GR3-RS-OP-184TC-2-B-D-7.5
FACTORY TYPE:	-

NEMA Rolled Steel, ODP

3 Phase NEMA YY/Y 9 Lead 230/460V



When motor is in F1 position, leads shown with "*" exit the casing above the center line of the motor, the remaining leads exit below the center line. This information can be used to identify missing or mislabelled leads.



NEMA

MOTOR MODEL:	GR3-RS-OP-184TC-2-B-D-7.5
FACTORY TYPE:	-

NEMA Rolled Steel, ODP

