

Techtop Industries Nameplate and Performance Data

NAMEPLATE DATA		
	60 Hz.	50 Hz.
Horsepower	75.0	75.0
Frame Size	405T	
Speed, RPM	1185	980
Voltage	3 Phase US	380
# Phase	3	
Full Load Amps	86.41	104
Power Factor	0.86	-
Nominal Efficiency	94.5	92.5
3/4 Load Efficiency	-	-
Service Factor	1.15	1.0
Duty	Cont. / S1	
FL Temp Rise °C	65.0	-
Enclosure	TEFC	
Ambient Temp °C	40	
KVA Code	H	E
FL Amps. @ 208 V	-	-
Insulation Class	F	
NEMA Design	C	
Weight	1045.17	
DE Bearing	NU316	
NDE Bearing	6314C3	
dB No-Load	-	
Rotor Wk ² , Lb-Ft ²	-	
Start Capacitor	-	
Start Capacitor V	-	
Run Capacitor	-	
Run Capacitor V	-	
Number of Leads	12	
Connection	??/?	
Coil Resistance	-	

Motor Model:	OX3-CI-TF-405T-6-RR-E-75
---------------------	---------------------------------

Performance Load Values:

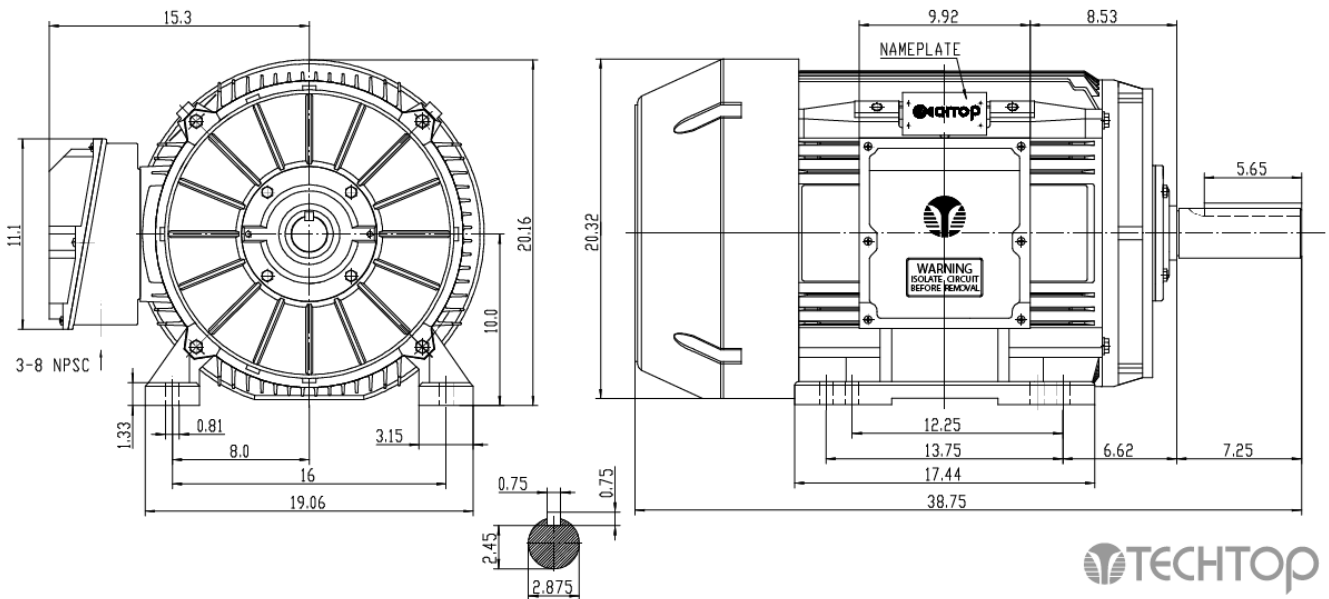
% Load	Horsepower	Current, Amps	Input power, Kilowatts	Speed, RPM	Efficiency	PF
0	37.5	28.81	-	-	-	-
25	37.5	33.99	15.12	1197.0	90.93	0.56
50	37.5	48.23	29.24	1194.2	94.05	0.76
75	56.25	65.25	43.62	1191.1	94.57	0.84
100	75.0	84.69	58.31	1187.6	94.33	0.86
125	37.5	106.15	73.34	1183.7	93.74	0.87
150	37.5	129.25	88.77	1179.5	92.94	0.86
SF	-	-	-	-	-	-

	Torque, Lb-Ft	% Full Load Torque	Speed, RPM	Current Amps.
Locked Rotor Torque	715.421	220.0	-	764.0
Pull Up Torque	419.497	129.0	-	-
Breakdown Torque	822.734	253.0	-	-
Full Load	325.191	100.0	1187.6	84.69

Speed Torque Curve

Please contact Techtop for image.

Dimensional Drawing



Dimensions are for reference only. Allowance should be made for minor deviations in non standard specified properties.

3D Image Link: Not available for this motor