

## Techtop Industries Nameplate and Performance Data

NAMEPLATE DATA		
	60 Hz.	50 Hz.
Horsepower	200.0	200.0
Frame Size	447T	
Speed, RPM	1780	1480
Voltage	3 Phase US	380
# Phase	3	
Full Load Amps	218.7183825	269
Power Factor	0.89	-
Nominal Efficiency	96.2	94.0
3/4 Load Efficiency	-	-
Service Factor	1.15	1.0
Duty	Cont. / S1	
FL Temp Rise °C	74.0	-
Enclosure	TEFC	
Ambient Temp °C	40	
KVA Code	H	D
FL Amps. @ 208 V	-	-
Insulation Class	F	
NEMA Design	C	
Weight	2055.06	
DE Bearing	NU319	
NDE Bearing	6319C3	
dB No-Load	-	
Rotor Wk <sup>2</sup> , Lb-Ft <sup>2</sup>	-	
Start Capacitor	-	
Start Capacitor V	-	
Run Capacitor	-	
Run Capacitor V	-	
Number of Leads	6	
Connection	?	
Coil Resistance	-	

<b>Motor Model:</b>	<b>OX3-CI-TF-447T-4-RR-E-200</b>
---------------------	----------------------------------

Performance Load Values:

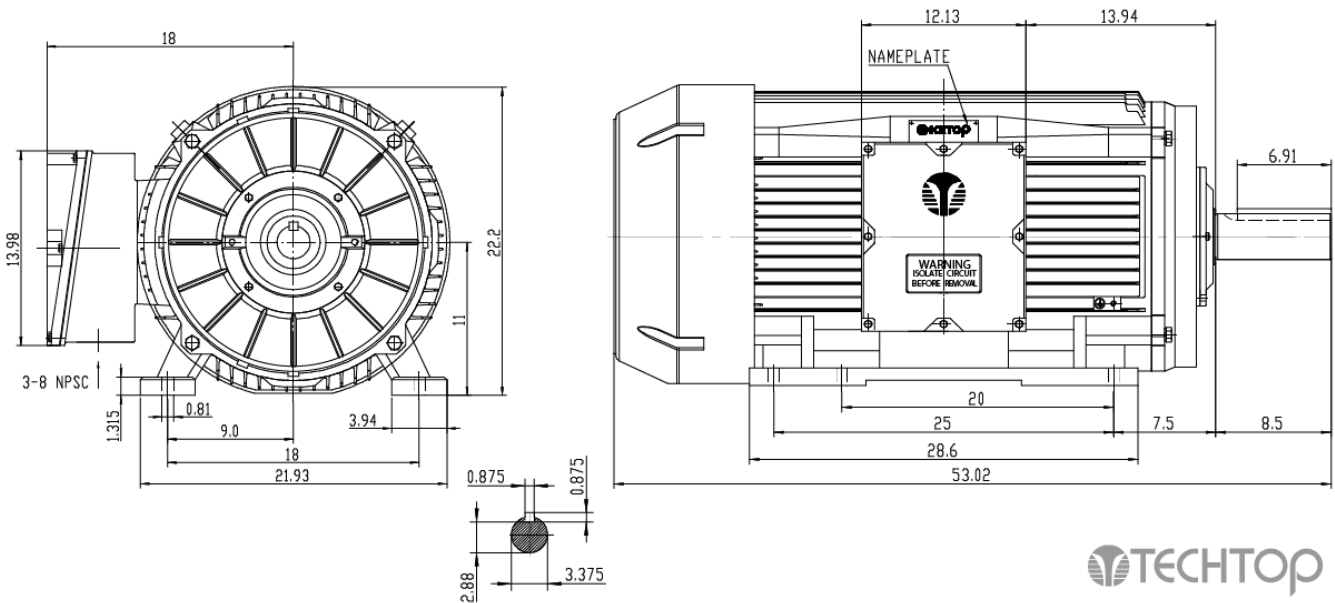
% Load	Horsepower	Current, Amps	Input power, Kilowatts	Speed, RPM	Efficiency	PF
0	100.0	84.68	-	-	-	-
25	100.0	100.46	40.44	1797.7	92.73	0.51
50	100.0	134.85	78.67	1795.5	95.34	0.73
75	150.0	177.4	117.4	1793.2	95.83	0.83
100	200.0	225.59	156.67	1790.9	95.74	0.87
125	100.0	256.15	180.49	1789.4	95.57	0.88
150	100.0	276.87	196.49	1788.5	95.43	0.89
SF	-	-	-	-	-	-

	Torque, Lb-Ft	% Full Load Torque	Speed, RPM	Current Amps.
Locked Rotor Torque	2627.68	450.0	-	1196.0
Pull Up Torque	1775.14	304.0	-	-
Breakdown Torque	2277.32	390.0	-	-
Full Load	583.928	100.0	1790.9	225.6

### Speed Torque Curve

Please contact Techtop for image.

### Dimensional Drawing



Dimensions are for reference only. Allowance should be made for minor deviations in non standard specified properties.

3D Image Link: Not available for this motor