



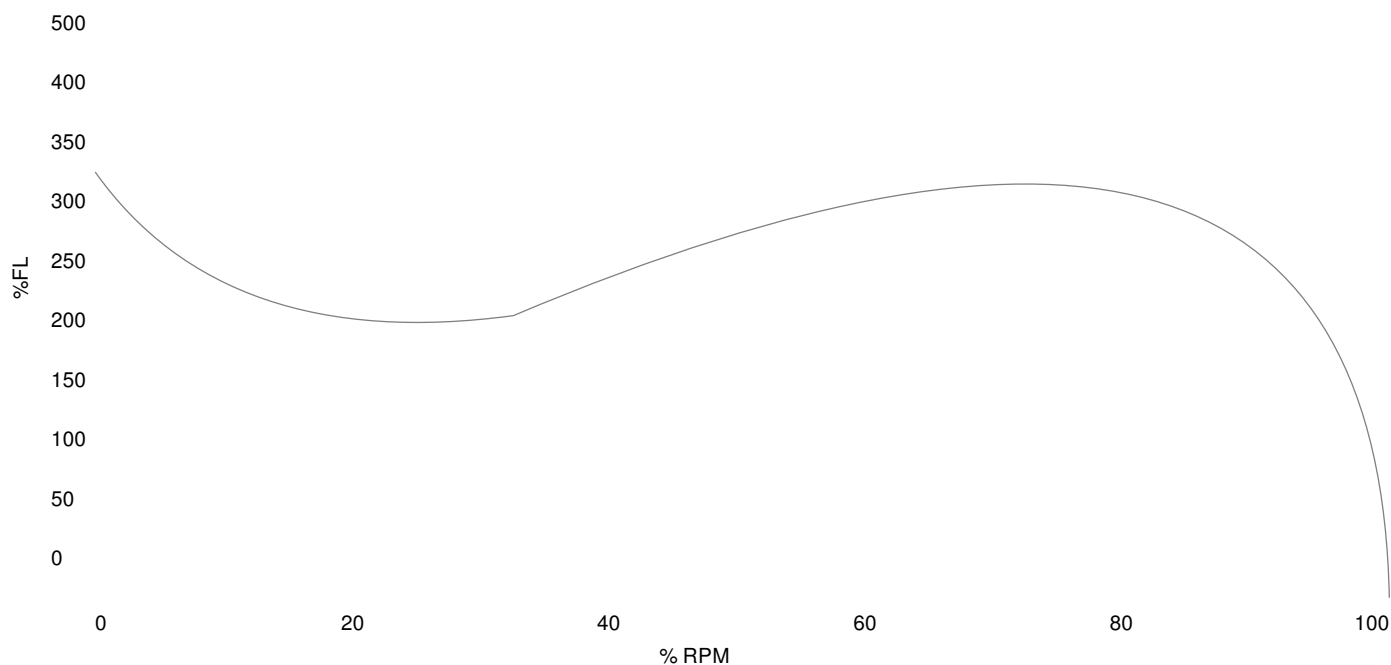
Farm Duty

NEMA

MOTOR MODEL:	RD1-RS-TF-184TC-4-B-B-5
FACTORY TYPE:	SLF

NEMA Rolled Steel, TEFC

Torque Speed (T-n) Curve



Performance Load Values, High Voltage, 60Hz

Torque Values	Torque lb-ft	% FLT	Performance Values
Locked Rotor Torque	50.4729	329.0	Start Configuration
Pull-Up Torque	28.8416	188.0	Starting Current (A)
Breakdown Torque	33.444	218.0	No-Load Current (A)
Full Load	15.3413	100.0	No-Load Power Factor

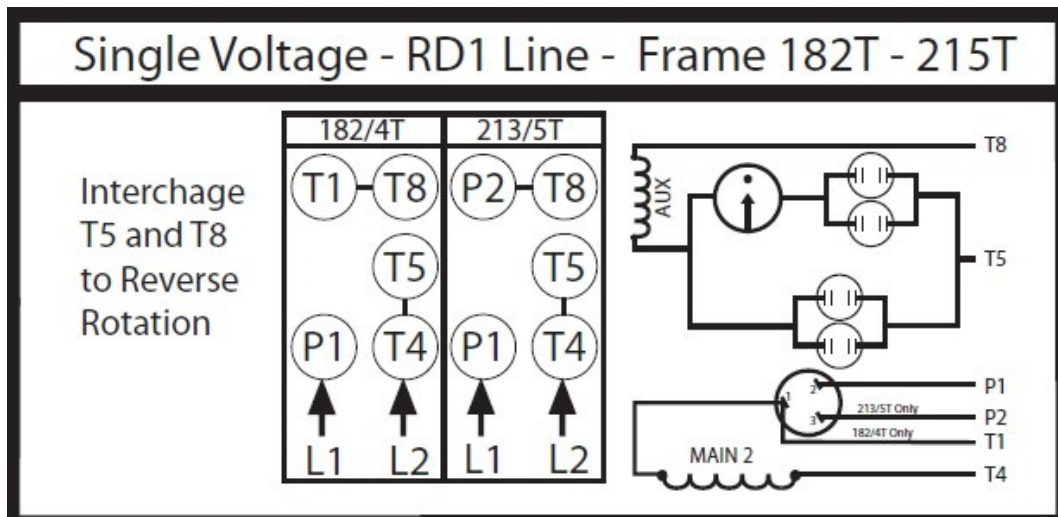
% Load	Horsepower	Current, Amps	Input power, Kilowatts	Speed, RPM	Efficiency	PF
0	-	-	-	-	-	-
25	-	-	-	-	-	-
50	-	-	-	-	-	-
75	-	-	-	-	-	-
100	-	-	-	-	-	-
125	-	-	-	-	-	-

Techtop Industries
 2815 Colonnades Court
 Peachtree Corners, GA 30071
 Tel: 678-436-5540
 E-Mail: info@techttopind.com

MOTOR MODEL:	RD1-RS-TF-184TC-4-B-B-5
FACTORY TYPE:	SLF

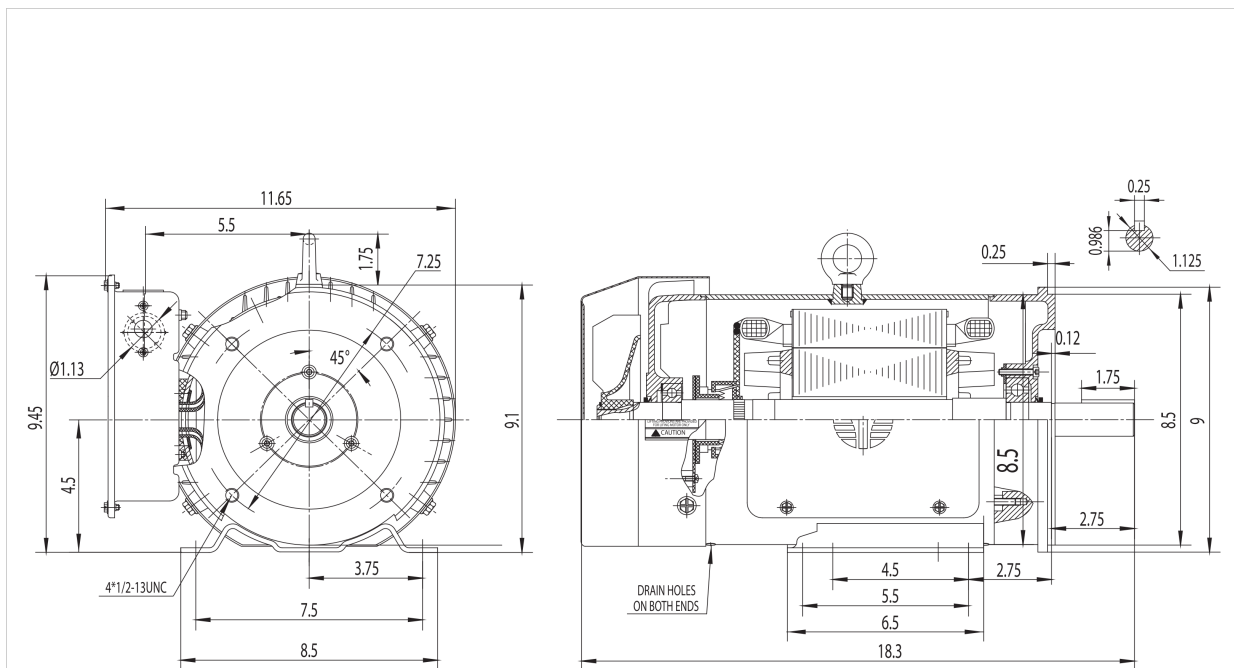
NEMA

NEMA Rolled Steel, TEFC



MOTOR MODEL:	RD1-RS-TF-184TC-4-B-B-5
FACTORY TYPE:	SLF

NEMA Rolled Steel, TEFC



		NEMA TEFC 184TC	
Drawing Number:	RD1-RS-TF-184TC	Issued Date:	6/22/15
Dimensions:	Inches		
Mounting:	Rigid/C-Flange	TEFC - Red Line NEMA High Torque Farm Duty Series	
Casing Material:	Rolled Steel		

Techtop Industries
 2815 Colonnades Court
 Peachtree Corners, GA 30071
 Tel: 678-436-5540
 E-Mail: info@techttopind.com