



Farm Duty

NEMA

| | |
|----------------------|------------------------|
| MOTOR MODEL: | RD1-RS-TF-56-4-B-C-.75 |
| FACTORY TYPE: | SLF |

NEMA Rolled Steel, TEFC

| ELECTRICAL DATA | | |
|--|--------------|-------|
| | 60 Hz | 50 Hz |
| Horsepower | 0.75 | - |
| Speed, RPM | 1725 | - |
| Voltage | 115/208-230 | - |
| # Phase | 1 | |
| Full Load Amps | 7.4/4.1-3.7 | - |
| Power Factor | 0.9 | - |
| Nominal Efficiency | 72.0 | - |
| Service Factor | 1.15 | - |
| KVA Code | J | - |
| FL Amps. @ 208 V | 4.1 | - |
| LRC @ 60Hz HV | 22.5792 | - |
| Start Capacitor | 300 | |
| Start Capacitor V | 125 | |
| Run Capacitor | 60 | |
| Run Capacitor V | 250 | |
| Number of Leads | 7 | |
| Connection | - | |
| Coil Resistance | - | |
| Date Code | - | |
| | | |
| | | |
| Load | Efficiency % | P.F. |
| 50% | - | - |
| 75% | - | - |
| 100% | - | - |
| | | |
| FULL LOAD TEMPERATURE RISE | | |
| FL Temp Rise °C | 63.0 | - |
| | | |
| 3D Image Link | | |
| RD1-RS-TF-56-4-B-C-.75 | | |

| GENERAL DATA | | |
|--|---------------|-------|
| Frame Size | 56 | |
| Frame Enclosure | TEFC | |
| Mounting | Rigid | |
| Insulation Class | F | |
| Duty | Cont. / S1 | |
| NEMA Design | L | |
| Frame Material | Rolled Steel | |
| Ingress Protection | 54 | |
| Tropicalization | true | |
| Cable Entry | 0.88" | |
| Feet Removable | - | |
| Double Drilled | - | |
| Paint Color | Graphite Gray | |
| Paint RAL | 7024 | |
| Weight lb | 30.0 | |
| | | |
| MECHANICAL DATA | | |
| DE Bearing | 6203-2RZ | |
| NDE Bearing | 6202-2RZ | |
| dB No-Load | - | |
| Rotor Wk ² , Lb-Ft ² | - | |
| Comp Ring (wavey washer) | NDE | |
| | | |
| TORQUE VALUES | | |
| | Torque lb-ft | % FLT |
| Locked Rotor Torque | 7.13348 | 313.0 |
| Pull-Up Torque | 5.24185 | 230.0 |
| Breakdown Torque | 6.22185 | 273.0 |
| Full Load Torque | 2.27907 | 100.0 |
| | | |
| SITE CONDITIONS | | |
| Ambient Temp °C | 40 | |
| Altitude Above Sea Level m | 1000 | |

*This report valid for above Date Code and newer models, please contact Techtop for more info.



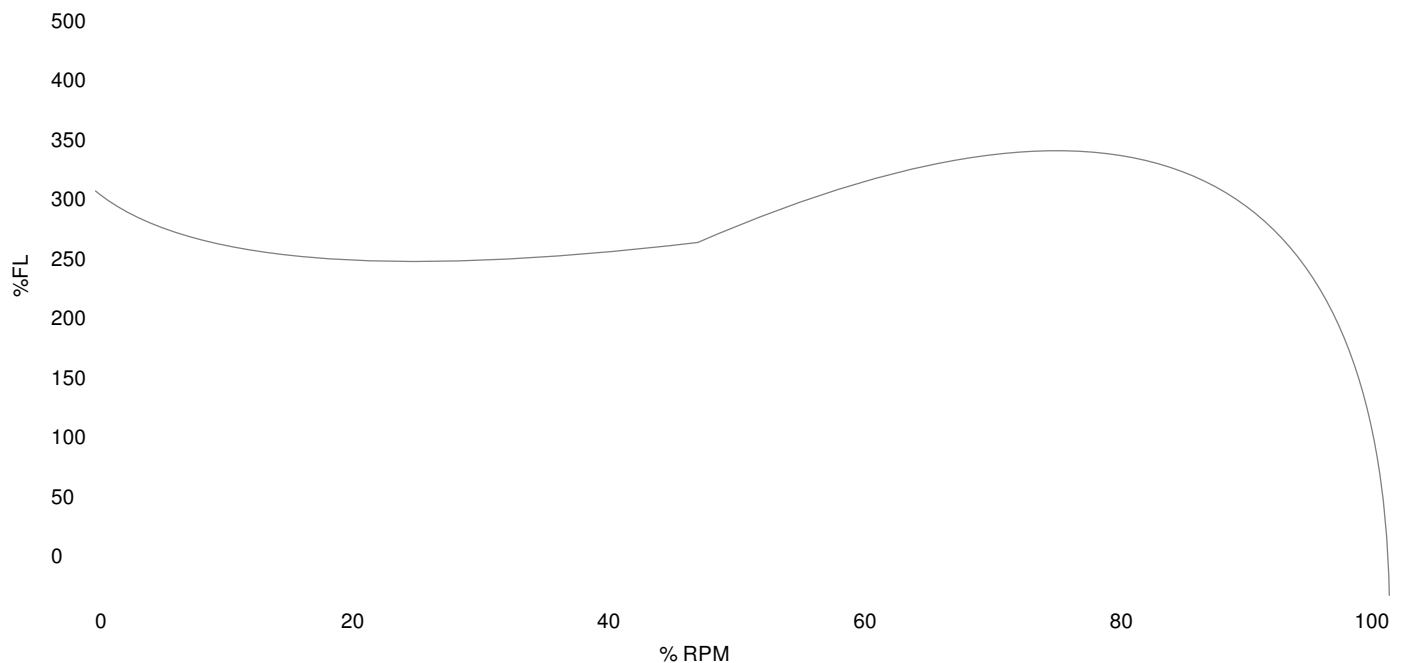
Farm Duty

NEMA

| | |
|----------------------|------------------------|
| MOTOR MODEL: | RD1-RS-TF-56-4-B-C-.75 |
| FACTORY TYPE: | SLF |

NEMA Rolled Steel, TEFC

Torque Speed (T-n) Curve



Performance Load Values, High Voltage, 60Hz

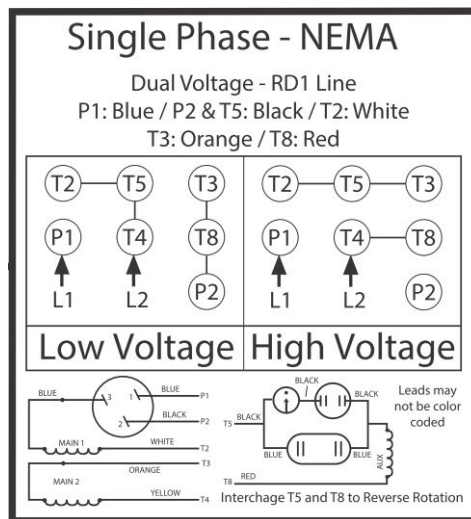
| Torque Values | Torque lb-ft | % FLT | Performance Values |
|---------------------|--------------|-------|----------------------|
| Locked Rotor Torque | 7.13348 | 313.0 | Start Configuration |
| Pull-Up Torque | 5.24185 | 230.0 | Starting Current (A) |
| Breakdown Torque | 6.22185 | 273.0 | No-Load Current (A) |
| Full Load | 2.27907 | 100.0 | No-Load Power Factor |

| % Load | Horsepower | Current, Amps | Input power, Kilowatts | Speed, RPM | Efficiency | PF |
|--------|------------|---------------|------------------------|------------|------------|----|
| 0 | - | 1.45 | - | - | - | - |
| 25 | - | - | - | - | - | - |
| 50 | - | - | - | - | - | - |
| 75 | - | - | - | - | - | - |
| 100 | - | - | - | - | - | - |
| 125 | - | - | - | - | - | - |

Techtop Industries
 2815 Colonnades Court
 Peachtree Corners, GA 30071
 Tel: 678-436-5540
 E-Mail: info@techttopind.com

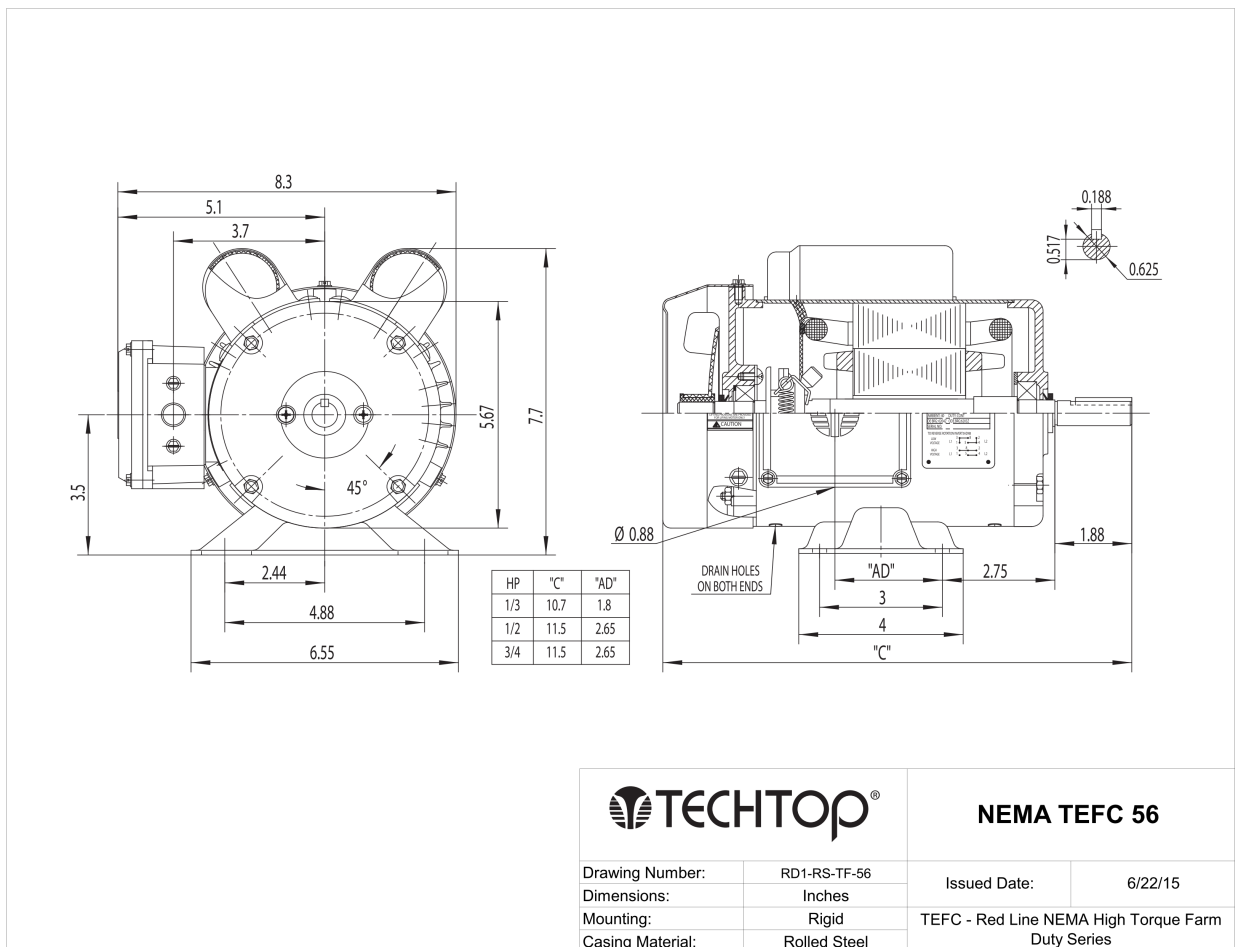
| | |
|----------------------|------------------------|
| MOTOR MODEL: | RD1-RS-TF-56-4-B-C-.75 |
| FACTORY TYPE: | SLF |

NEMA Rolled Steel, TEFC



| | |
|----------------------|------------------------|
| MOTOR MODEL: | RD1-RS-TF-56-4-B-C-.75 |
| FACTORY TYPE: | SLF |

NEMA Rolled Steel, TEFC



Techtop Industries
 2815 Colonnades Court
 Peachtree Corners, GA 30071
 Tel: 678-436-5540
 E-Mail: info@techttopind.com