



Washdown

**NEMA**

<b>MOTOR MODEL:</b>	WX3-AL-TF-182T-2-B-D-3
<b>FACTORY TYPE:</b>	TXA

Premium NEMA Cast Aluminum, TEFC

ELECTRICAL DATA		
	60 Hz	50 Hz
Horsepower	3.0	3.0
Speed, RPM	3515	2900
Voltage	230/460	190/380
# Phase	3	
Full Load Amps	7.17/3.59	8.38/4.19
Power Factor	0.89	-
Nominal Efficiency	86.5	86.2
Service Factor	1.25	1.0
KVA Code	K	H
FL Amps. @ 208 V	7.77	-
LRC @ 60Hz HV	33.3216	-
Start Capacitor	-	
Start Capacitor V	-	
Run Capacitor	-	
Run Capacitor V	-	
Number of Leads	9	
Connection	YY/Y	
Coil Resistance	-	
Date Code	-	
Load	Efficiency %	P.F.
50%	84.23	0.77
75%	86.43	0.86
100%	86.72	0.9
FULL LOAD TEMPERATURE RISE		
FL Temp Rise °C	37.0	37.0
3D Image Link		
<a href="#">WX3-AL-TF-182T-2-B-D-3</a>		

GENERAL DATA		
Frame Size	182T	
Frame Enclosure	TEFC	
Mounting	Rigid	
Insulation Class	F	
Duty	Cont. / S1	
NEMA Design	A	
Frame Material	Cast Aluminum	
Ingress Protection	56	
Tropicalization	true	
Cable Entry	1-NPT 3/4"	
Feet Removable	true	
Double Drilled	-	
Paint Color	-	
Paint RAL	-	
Weight lb	50.0	
MECHANICAL DATA		
DE Bearing	6306ZZ	
NDE Bearing	6206ZZ	
dB No-Load	-	
Rotor Wk², Lb-Ft²	-	
Comp Ring (wavy washer)	NDE	
TORQUE VALUES		% FLT
Locked Rotor Torque	11.1842	254.0
Pull-Up Torque	5.54809	126.0
Breakdown Torque	15.6315	355.0
Full Load Torque	4.40325	100.0
SITE CONDITIONS		
Ambient Temp °C	40	
Altitude Above Sea Level m	1000	

\*This report valid for above Date Code and newer models, please contact Techtop for more info.

Techtop Industries  
 2815 Colonnades Court  
 Peachtree Corners, GA 30071  
 Tel: 678-436-5540  
 E-Mail: info@techttopind.com



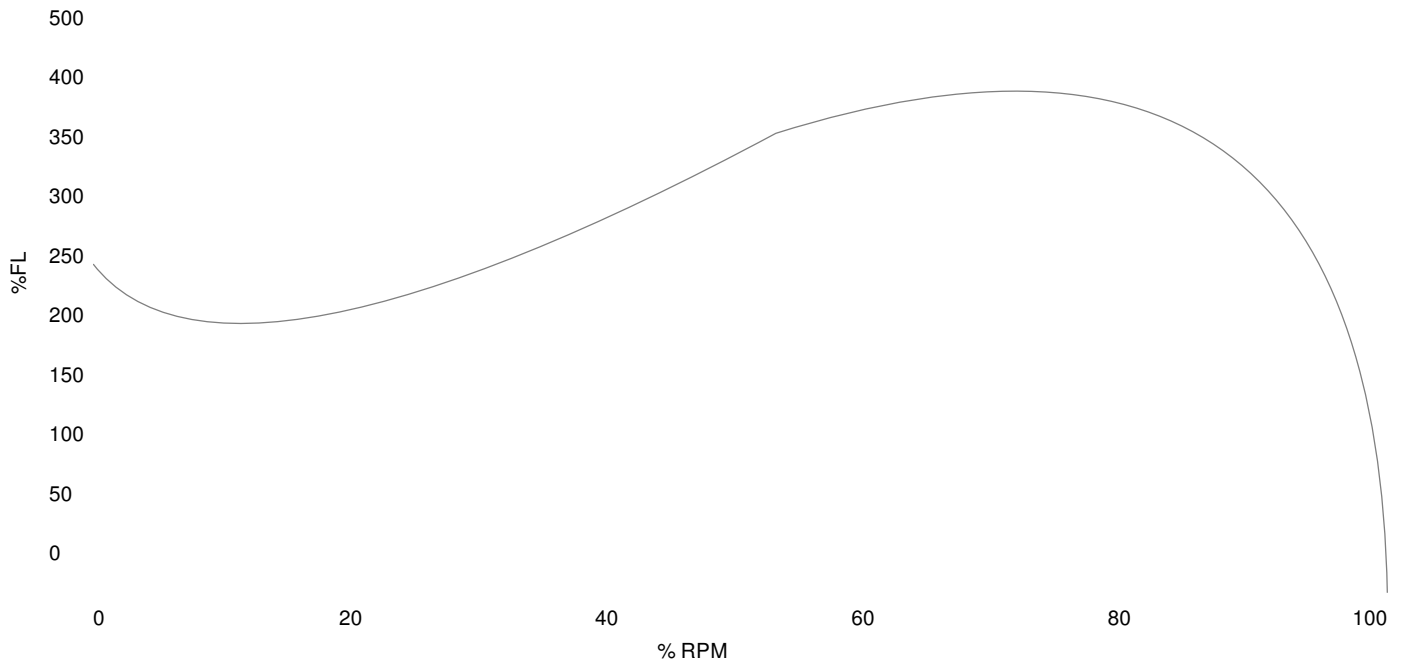
Washdown

**NEMA**

<b>MOTOR MODEL:</b>	WX3-AL-TF-182T-2-B-D-3
<b>FACTORY TYPE:</b>	TXA

Premium NEMA Cast Aluminum, TEFC

Torque Speed (T-n) Curve



Performance Load Values, High Voltage, 60Hz

Torque Values	Torque lb-ft	% FLT	Performance Values
Locked Rotor Torque	11.1842	254.0	Start Configuration
Pull-Up Torque	5.54809	126.0	Starting Current (A)
Breakdown Torque	15.6315	355.0	No-Load Current (A)
Full Load	4.40325	100.0	No-Load Power Factor

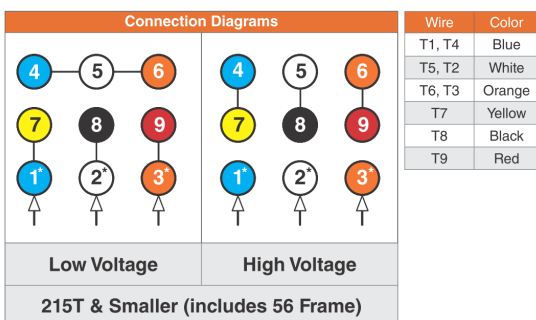
% Load	Horsepower	Current, Amps	Input power, Kilowatts	Speed, RPM	Efficiency	PF
0	-	1.31	-	-	-	-
25	0.75	1.58	0.7233	3579.3	76.04	0.58
50	1.5	2.13	1.306	3561.2	84.23	0.77
75	2.25	2.79	1.909	3541.2	86.43	0.86
100	3.0	3.56	2.537	3519.6	86.72	0.9
125	3.75	4.39	3.194	3496.3	86.1	0.91

Techtop Industries  
 2815 Colonnades Court  
 Peachtree Corners, GA 30071  
 Tel: 678-436-5540  
 E-Mail: info@techttopind.com

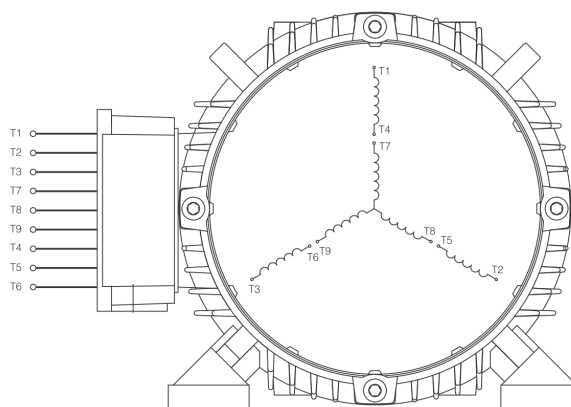
<b>MOTOR MODEL:</b>	WX3-AL-TF-182T-2-B-D-3
<b>FACTORY TYPE:</b>	TXA

## Premium NEMA Cast Aluminum, TEFC

### 3 Phase NEMA YY/Y 9 Lead 230/460V



When motor is in F1 position, leads shown with "\*" exit the casing above the center line of the motor, the remaining leads exit below the center line. This information can be used to identify missing or mislabelled leads.



<b>MOTOR MODEL:</b>	WX3-AL-TF-182T-2-B-D-3
<b>FACTORY TYPE:</b>	TXA

## Premium NEMA Cast Aluminum, TEFC

