



Washdown

NEMA

MOTOR MODEL:	WX3-AL-TF-215TC-2-B-D-10
FACTORY TYPE:	TXA

Premium NEMA Cast Aluminum, TEFC

ELECTRICAL DATA		
	60 Hz	50 Hz
Horsepower	10.0	10.0
Speed, RPM	3520	2910
Voltage	230/460	190/380
# Phase	3	
Full Load Amps	22.6/11.3	26.6/13.3
Power Factor	0.92	-
Nominal Efficiency	90.2	89.5
3/4 Load Efficiency	-	-
Service Factor	1.25	1.0
KVA Code	L	H
FL Amps. @ 208 V	25.8	-
LRC @ 60Hz HV	239.516	-
Start Capacitor	-	
Start Capacitor V	-	
Run Capacitor	-	
Run Capacitor V	-	
Number of Leads	9	
Connection	YY/Y	
Coil Resistance	-	
Date Code	-	
Load	Efficiency %	P.F.
50%	-	-
75%	-	-
100%	-	-
FULL LOAD TEMPERATURE RISE		
FL Temp Rise °C	42.6	45.3
3D Image Link		
Not available for this motor		

GENERAL DATA		
Frame Size	215TC	
Frame Enclosure	TEFC	
Mounting	Rigid/C-Flange	
Insulation Class	F	
Duty	Cont. / S1	
NEMA Design	A	
Frame Material	Cast Aluminum	
Ingress Protection	56	
Tropicalization	true	
Cable Entry	1-NPT 1"	
Feet Removable	true	
Double Drilled	-	
Paint Color	-	
Paint RAL	-	
Weight lb	115.0	
MECHANICAL DATA		
DE Bearing	6308ZZ	
NDE Bearing	6208ZZ	
dB No-Load	-	
Rotor Wk ² , Lb-Ft ²	-	
Comp Ring (wavy washer)	-	
TORQUE VALUES		
	Torque lb-ft	% FLT
Locked Rotor Torque	42.4348	283.0
Pull-Up Torque	6.44769	43.0
Breakdown Torque	67.9257	453.0
Full Load Torque	14.9946	100.0
SITE CONDITIONS		
Ambient Temp °C	40	
Altitude Above Sea Level m	1000	

*This report valid for above Date Code and newer models, please contact Techtop for more info.

Techtop Industries
 2815 Colonnades Court
 Peachtree Corners, GA 30071
 Tel: 678-436-5540
 E-Mail: info@techttopind.com



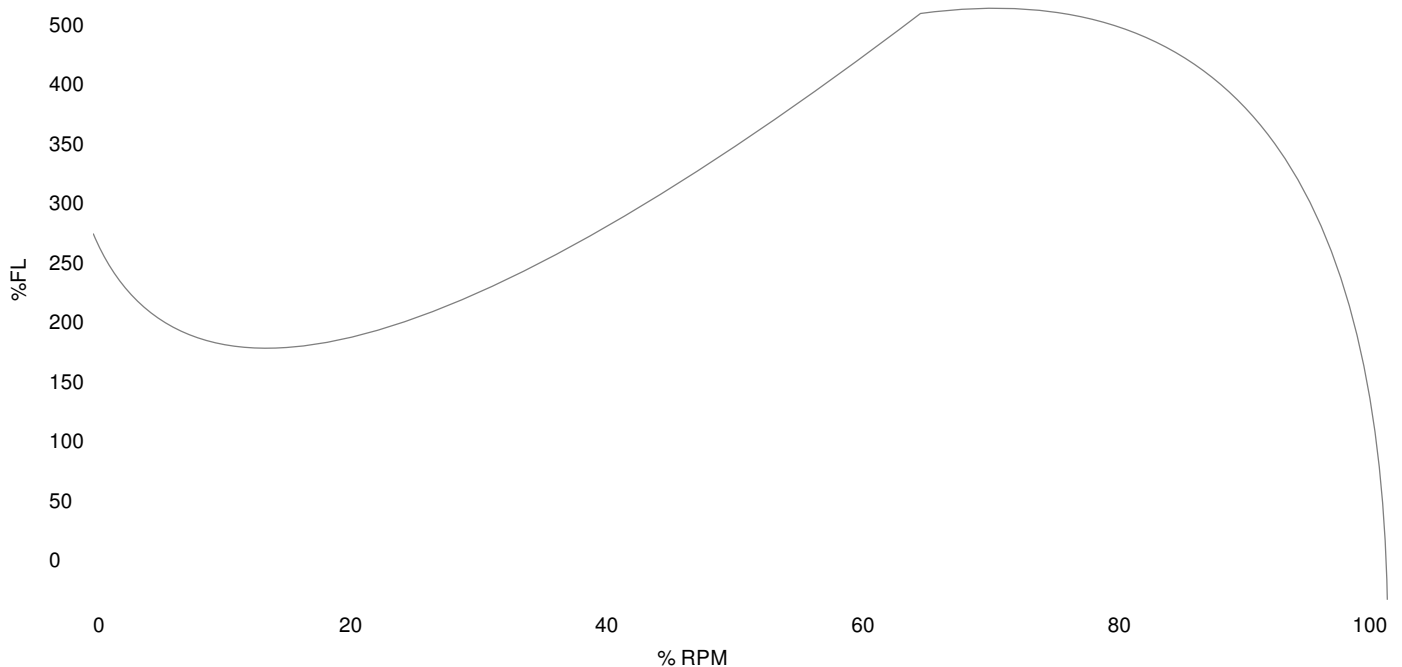
Washdown

NEMA

MOTOR MODEL:	WX3-AL-TF-215TC-2-B-D-10
FACTORY TYPE:	TXA

Premium NEMA Cast Aluminum, TEFC

Torque Speed (T-n) Curve



Performance Load Values, High Voltage, 60Hz

Torque Values	Torque lb-ft	% FLT	Performance Values
Locked Rotor Torque	42.4348	283.0	Start Configuration
Pull-Up Torque	6.44769	43.0	Starting Current (A)
Breakdown Torque	67.9257	453.0	No-Load Current (A)
Full Load	14.9946	100.0	No-Load Power Factor

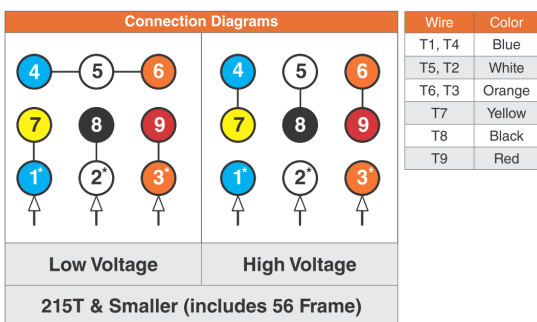
% Load	Horsepower	Current, Amps	Input power, Kilowatts	Speed, RPM	Efficiency	PF
0	-	-	-	-	-	-
25	2.5	-	-	-	-	-
50	5.0	-	-	-	-	-
75	7.5	-	-	-	-	-
100	10.0	-	-	-	-	-
125	12.5	-	-	-	-	-

Techtop Industries
 2815 Colonnades Court
 Peachtree Corners, GA 30071
 Tel: 678-436-5540
 E-Mail: info@techttopind.com

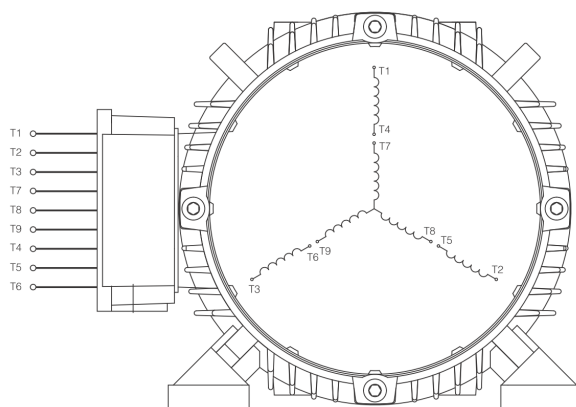
MOTOR MODEL:	WX3-AL-TF-215TC-2-B-D-10
FACTORY TYPE:	TXA

Premium NEMA Cast Aluminum, TEFC

3 Phase NEMA YY/Y 9 Lead 230/460V



When motor is in F1 position, leads shown with "*" exit the casing above the center line of the motor, the remaining leads exit below the center line. This information can be used to identify missing or mislabelled leads.



MOTOR MODEL:	WX3-AL-TF-215TC-2-B-D-10
FACTORY TYPE:	TXA

Premium NEMA Cast Aluminum, TEFC

