



# Three Phase Open Enclosure

## NEMA

|                      |                         |
|----------------------|-------------------------|
| <b>MOTOR MODEL:</b>  | GR3-RS-OP-145TC-4-B-D-2 |
| <b>FACTORY TYPE:</b> | -                       |

### NEMA Rolled Steel, ODP

| ELECTRICAL DATA              |              |         |
|------------------------------|--------------|---------|
|                              | 60 Hz        | 50 Hz   |
| Horsepower                   | 2.0          | -       |
| Speed, RPM                   | 1740         | 1420    |
| Voltage                      | 230/460      | 190/380 |
| # Phase                      | 3            |         |
| Full Load Amps               | 5.48/2.74    | -       |
| Power Factor                 | 0.79         | -       |
| Nominal Efficiency           | 86.5         | -       |
| Service Factor               | 1.25         | 1.0     |
| KVA Code                     | L            | H       |
| FL Amps. @ 208 V             | 5.85         | -       |
| LRC @ 60Hz HV                | -            | -       |
| Start Capacitor              | -            |         |
| Start Capacitor V            | -            |         |
| Run Capacitor                | -            |         |
| Run Capacitor V              | -            |         |
| Number of Leads              | 9            |         |
| Connection                   | YY/Y         |         |
| Coil Resistance              | 2.98         |         |
| Date Code                    | -            |         |
|                              |              |         |
| Load                         | Efficiency % | P.F.    |
| 50%                          | 85.3         | 0.5978  |
| 75%                          | 87.18        | 0.7282  |
| 100%                         | 87.24        | 0.8011  |
|                              |              |         |
| FULL LOAD TEMPERATURE RISE   |              |         |
| FL Temp Rise °C              | 43.0         | 63.0    |
|                              |              |         |
| 3D Image Link                |              |         |
| Not available for this motor |              |         |

| GENERAL DATA                               |               |       |
|--|---------------|-------|
| Frame Size                                 | 145TC         |       |
| Frame Enclosure                            | ODP           |       |
| Mounting                                   | Rigid         |       |
| Insulation Class                           | F             |       |
| Duty                                       | Cont. / S1    |       |
| NEMA Design                                | -             |       |
| Frame Material                             | Rolled Steel  |       |
| Ingress Protection                         | 23            |       |
| Tropicalization                            | true          |       |
| Cable Entry                                | 1-NPT 3/4"    |       |
| Feet Removable                             | -             |       |
| Double Drilled                             | -             |       |
| Paint Color                                | Graphite Gray |       |
| Paint RAL                                  | 7024          |       |
| Weight lb                                  | -             |       |
|  |               |       |
| MECHANICAL DATA                            |               |       |
| DE Bearing                                 | 6205ZZ        |       |
| NDE Bearing                                | 6203ZZ        |       |
| dB No-Load                                 | -             |       |
| Rotor Wk <sup>2</sup> , Lb-Ft <sup>2</sup> | -             |       |
| Comp Ring (wavy washer)                    | NDE           |       |
|  |               |       |
| TORQUE VALUES                              | Torque lb-ft  | % FLT |
| Locked Rotor Torque                        | 19.71         | 325.0 |
| Pull-Up Torque                             | 17.58         | 290.0 |
| Breakdown Torque                           | 24.24         | 400.0 |
| Full Load Torque                           | 6.06          | 100.0 |
|  |               |       |
| SITE CONDITIONS                            |               |       |
| Ambient Temp °C                            | 40            |       |
| Altitude Above Sea Level m                 | 1000          |       |

\*This report valid for above Date Code and newer models, please contact Techtop for more info.



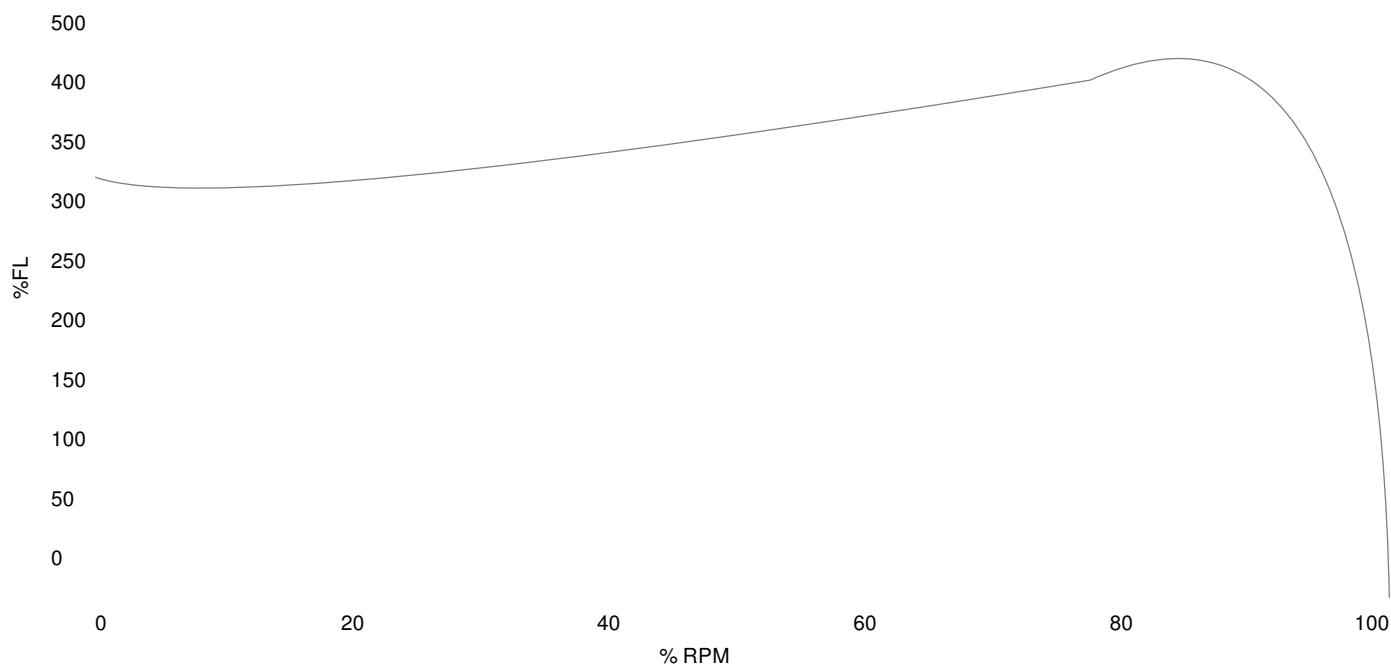
# Three Phase Open Enclosure

|                      |                         |
|----------------------|-------------------------|
| <b>MOTOR MODEL:</b>  | GR3-RS-OP-145TC-4-B-D-2 |
| <b>FACTORY TYPE:</b> | -                       |

# NEMA

## NEMA Rolled Steel, ODP

Torque Speed (T-n) Curve



Performance Load Values, High Voltage, 60Hz

| Torque Values       | Torque lb-ft | % FLT | Performance Values   |
|---------------------|--------------|-------|----------------------|
| Locked Rotor Torque | 19.71        | 325.0 | Start Configuration  |
| Pull-Up Torque      | 17.58        | 290.0 | Starting Current (A) |
| Breakdown Torque    | 24.24        | 400.0 | No-Load Current (A)  |
| Full Load           | 6.06         | 100.0 | No-Load Power Factor |

| % Load | Horsepower | Current, Amps | Input power, Kilowatts | Speed, RPM | Efficiency | PF     |
|--------|------------|---------------|------------------------|------------|------------|--------|
| 0      | -          | -             | -                      | -          | -          | -      |
| 25     | -          | -             | -                      | -          | -          | -      |
| 50     | -          | -             | -                      | -          | 85.3       | 0.5978 |
| 75     | -          | -             | -                      | -          | 87.18      | 0.7282 |
| 100    | -          | -             | -                      | -          | 87.24      | 0.8011 |
| 125    | -          | -             | -                      | -          | -          | -      |

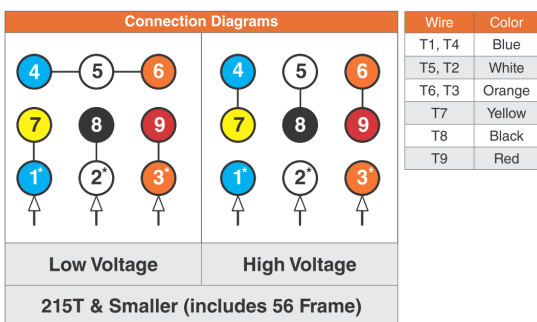
Techtop Industries  
 2815 Colonnades Court  
 Peachtree Corners, GA 30071  
 Tel: 678-436-5540  
 E-Mail: info@techttopind.com

|                      |                         |
|----------------------|-------------------------|
| <b>MOTOR MODEL:</b>  | GR3-RS-OP-145TC-4-B-D-2 |
| <b>FACTORY TYPE:</b> | -                       |

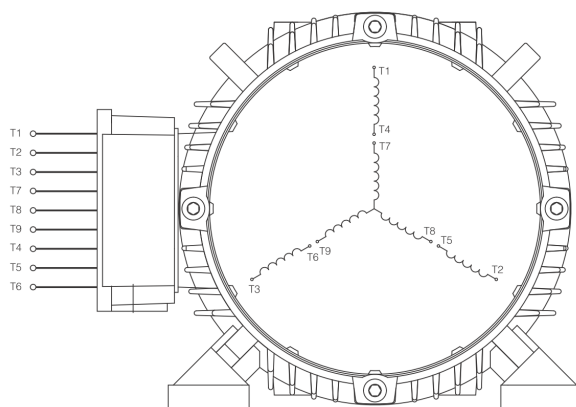
## NEMA

### NEMA Rolled Steel, ODP

#### 3 Phase NEMA YY/Y 9 Lead 230/460V



When motor is in F1 position, leads shown with "\*" exit the casing above the center line of the motor, the remaining leads exit below the center line. This information can be used to identify missing or mislabelled leads.



## NEMA

|                      |                         |
|----------------------|-------------------------|
| <b>MOTOR MODEL:</b>  | GR3-RS-OP-145TC-4-B-D-2 |
| <b>FACTORY TYPE:</b> | -                       |

### NEMA Rolled Steel, ODP

