





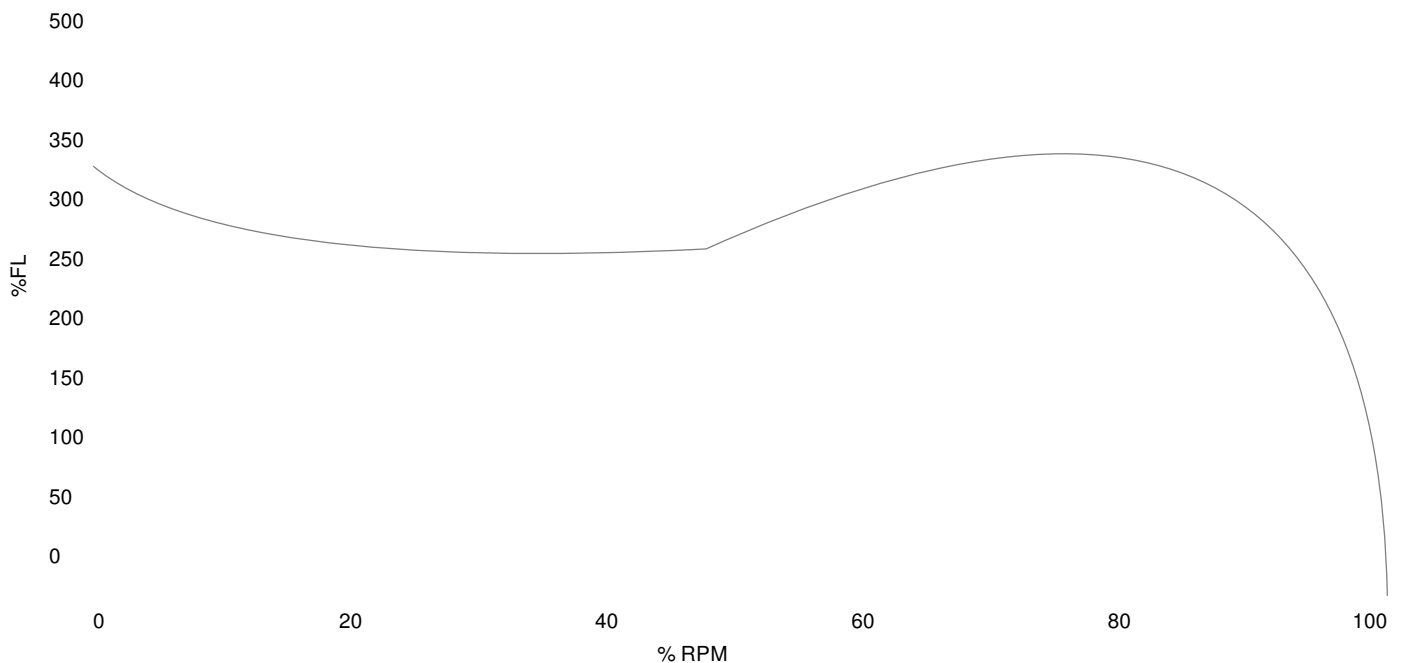
Farm Duty

**NEMA**

<b>MOTOR MODEL:</b>	RD1-RS-TF-145TC-4-B-C-1.5
<b>FACTORY TYPE:</b>	SLF

NEMA Rolled Steel, TEFC

Torque Speed (T-n) Curve



Performance Load Values, High Voltage, 60Hz

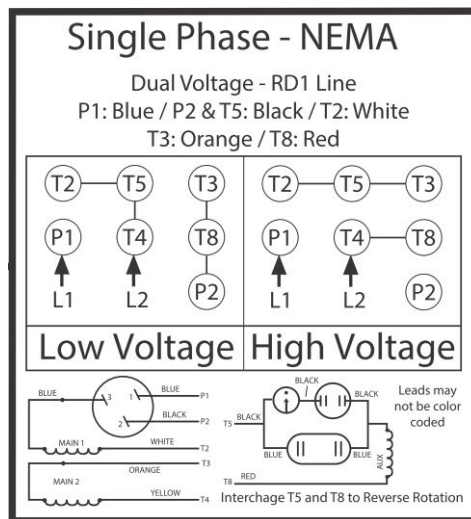
Torque Values	Torque lb-ft	% FLT	Performance Values
Locked Rotor Torque	15.1206	332.0	Start Configuration
Pull-Up Torque	11.3405	249.0	Starting Current (A)
Breakdown Torque	12.2058	268.0	No-Load Current (A)
Full Load	4.5544	100.0	No-Load Power Factor

% Load	Horsepower	Current, Amps	Input power, Kilowatts	Speed, RPM	Efficiency	PF
0	-	-	-	-	-	-
25	-	-	-	-	-	-
50	-	-	-	-	-	-
75	-	-	-	-	-	-
100	-	-	-	-	-	-
125	-	-	-	-	-	-

Techtop Industries  
 2815 Colonnades Court  
 Peachtree Corners, GA 30071  
 Tel: 678-436-5540  
 E-Mail: info@techttopind.com

<b>MOTOR MODEL:</b>	RD1-RS-TF-145TC-4-B-C-1.5
<b>FACTORY TYPE:</b>	SLF

NEMA Rolled Steel, TEFC



<b>MOTOR MODEL:</b>	RD1-RS-TF-145TC-4-B-C-1.5
<b>FACTORY TYPE:</b>	SLF

## NEMA Rolled Steel, TEFC

