



Farm Duty

**NEMA**

<b>MOTOR MODEL:</b>	RD1-RS-TF-213TZ-4-B-B-7.5
<b>FACTORY TYPE:</b>	SLF

NEMA Rolled Steel, TEFC

ELECTRICAL DATA		
	60 Hz	50 Hz
Horsepower	7.5	-
Speed, RPM	1740	-
Voltage	208-230	-
# Phase	1	
Full Load Amps	34.3-31.0	-
Power Factor	0.94	-
Nominal Efficiency	82.0	-
Service Factor	1.15	-
KVA Code	H	-
FL Amps. @ 208 V	34.3	-
LRC @ 60Hz HV	218.397	-
Start Capacitor	400 ×2	
Start Capacitor V	350	
Run Capacitor	40 ×2	
Run Capacitor V	450	
Number of Leads	5	
Connection	-	
Coil Resistance	-	
Date Code	-	
Load	Efficiency %	P.F.
50%	-	-
75%	-	-
100%	-	-
FULL LOAD TEMPERATURE RISE		
FL Temp Rise °C	85.0	-
3D Image Link		
<a href="#">RD1-RS-TF-213TZ-4-B-B-7.5</a>		

GENERAL DATA			
Frame Size	213TZ		
Frame Enclosure	TEFC		
Mounting	Rigid		
Insulation Class	F		
Duty	Cont. / S1		
NEMA Design	L		
Frame Material	Rolled Steel		
Ingress Protection	54		
Tropicalization	true		
Cable Entry	1.1"		
Feet Removable	-		
Double Drilled	true		
Paint Color	Graphite Gray		
Paint RAL	7024		
Weight lb	185.0		
MECHANICAL DATA			
DE Bearing	6208-2RZ		
NDE Bearing	6206-2RZ		
dB No-Load	-		
Rotor Wk <sup>2</sup> , Lb-Ft <sup>2</sup>	-		
Comp Ring (wavey washer)	NDE		
TORQUE VALUES		Torque lb-ft	% FLT
Locked Rotor Torque	89.8351	400.0	
Pull-Up Torque	48.2864	215.0	
Breakdown Torque	53.901	240.0	
Full Load Torque	22.4588	100.0	
SITE CONDITIONS			
Ambient Temp °C	40		
Altitude Above Sea Level m	1000		

\*This report valid for above Date Code and newer models, please contact Techtop for more info.



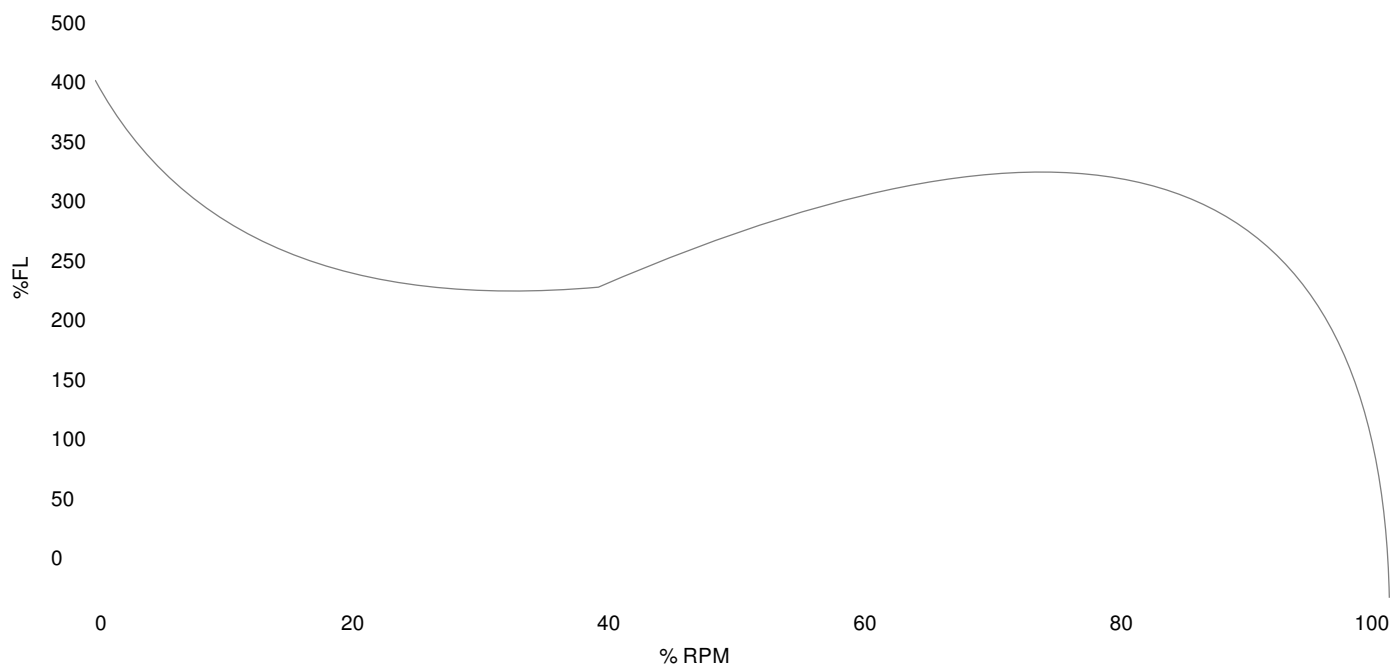
Farm Duty

**NEMA**

<b>MOTOR MODEL:</b>	RD1-RS-TF-213TZ-4-B-B-7.5
<b>FACTORY TYPE:</b>	SLF

NEMA Rolled Steel, TEFC

Torque Speed (T-n) Curve



Performance Load Values, High Voltage, 60Hz

Torque Values	Torque lb-ft	% FLT	Performance Values
Locked Rotor Torque	89.8351	400.0	Start Configuration
Pull-Up Torque	48.2864	215.0	Starting Current (A)
Breakdown Torque	53.901	240.0	No-Load Current (A)
Full Load	22.4588	100.0	No-Load Power Factor

% Load	Horsepower	Current, Amps	Input power, Kilowatts	Speed, RPM	Efficiency	PF
0	-	-	-	-	-	-
25	-	-	-	-	-	-
50	-	-	-	-	-	-
75	-	-	-	-	-	-
100	-	-	-	-	-	-
125	-	-	-	-	-	-

Techtop Industries  
 2815 Colonnades Court  
 Peachtree Corners, GA 30071  
 Tel: 678-436-5540  
 E-Mail: info@techttopind.com



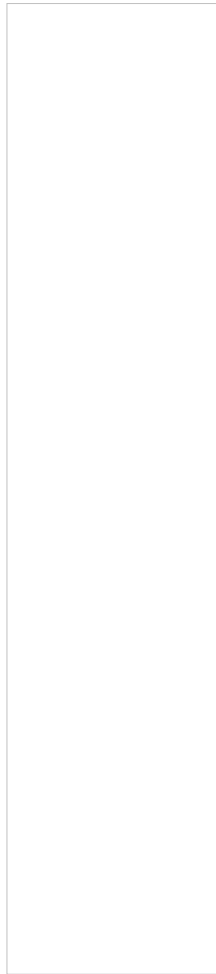
Farm Duty  
**NEMA**

<b>MOTOR MODEL:</b>	RD1-RS-TF-213TZ-4-B-B-7.5
<b>FACTORY TYPE:</b>	SLF

---

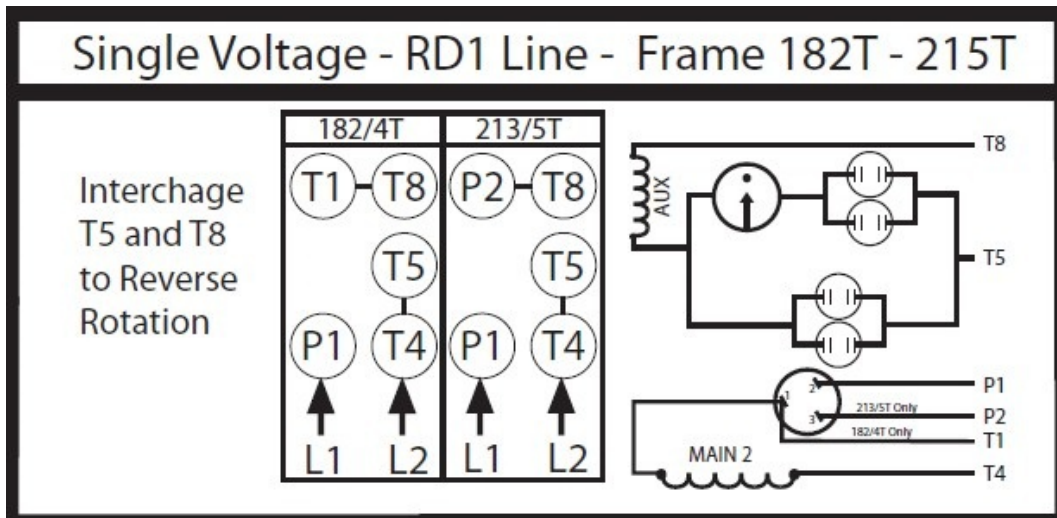
NEMA Rolled Steel, TEFC

---



<b>MOTOR MODEL:</b>	RD1-RS-TF-213TZ-4-B-B-7.5
<b>FACTORY TYPE:</b>	SLF

NEMA Rolled Steel, TEFC



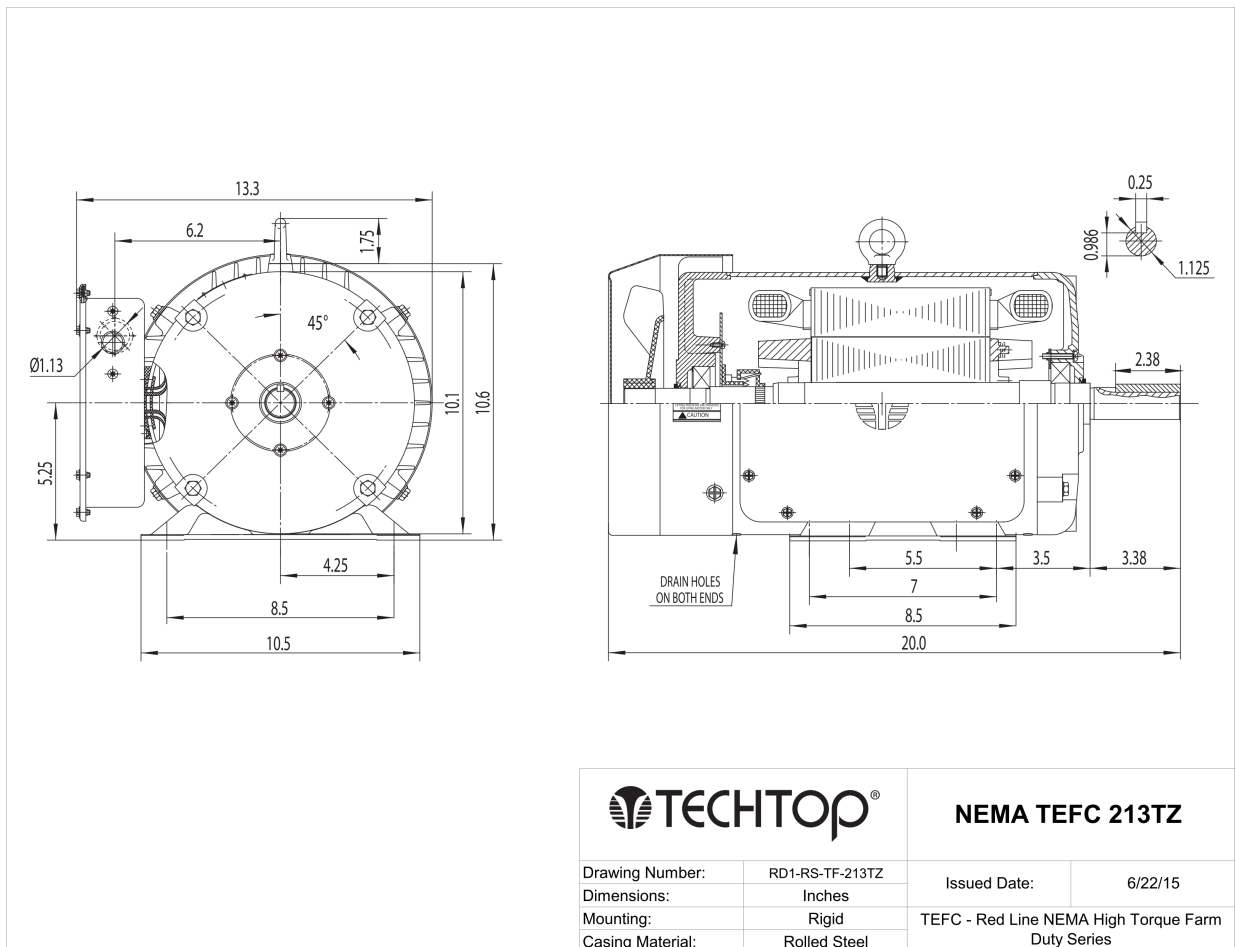


Farm Duty

**NEMA**

<b>MOTOR MODEL:</b>	RD1-RS-TF-213TZ-4-B-B-7.5
<b>FACTORY TYPE:</b>	SLF

NEMA Rolled Steel, TEFC



Techtop Industries  
 2815 Colonnades Court  
 Peachtree Corners, GA 30071  
 Tel: 678-436-5540  
 E-Mail: info@techttopind.com