



Farm Duty

NEMA

MOTOR MODEL:	RD1-RS-TF-215TC-4-B-B-10
FACTORY TYPE:	SLF

NEMA Rolled Steel, TEFC

ELECTRICAL DATA		
	60 Hz	50 Hz
Horsepower	10.0	-
Speed, RPM	1740	-
Voltage	208-230	-
# Phase	1	-
Full Load Amps	46.3-41.8	-
Power Factor	0.94	-
Nominal Efficiency	83.0	-
Service Factor	1.15	-
KVA Code	H	-
FL Amps. @ 208 V	46.3	-
LRC @ 60Hz HV	299.932	-
Start Capacitor	500 x2	-
Start Capacitor V	350	-
Run Capacitor	50 x2	-
Run Capacitor V	450	-
Number of Leads	5	-
Connection	-	-
Coil Resistance	-	-
Date Code	-	-
Load	Efficiency %	P.F.
50%	-	-
75%	-	-
100%	-	-
FULL LOAD TEMPERATURE RISE		
FL Temp Rise °C	-	-
3D Image Link		
RD1-RS-TF-215TC-4-B-B-10		

GENERAL DATA		
Frame Size	215TC	
Frame Enclosure	TEFC	
Mounting	Rigid/C-Flange	
Insulation Class	F	
Duty	Cont. / S1	
NEMA Design	L	
Frame Material	Rolled Steel	
Ingress Protection	54	
Tropicalization	true	
Cable Entry	1.1"	
Feet Removable	-	
Double Drilled	true	
Paint Color	Graphite Gray	
Paint RAL	7024	
Weight lb	207.0	
MECHANICAL DATA		
DE Bearing	6208-2RZ	
NDE Bearing	6206-2RZ	
dB No-Load	-	
Rotor Wk ² , Lb-Ft ²	-	
Comp Ring (wavey washer)	NDE	
TORQUE VALUES		
	Torque lb-ft	% FLT
Locked Rotor Torque	108.962	362.0
Pull-Up Torque	58.9958	196.0
Breakdown Torque	68.0258	226.0
Full Load Torque	30.0999	100.0
SITE CONDITIONS		
Ambient Temp °C	40	
Altitude Above Sea Level m	1000	

*This report valid for above Date Code and newer models, please contact Techtop for more info.



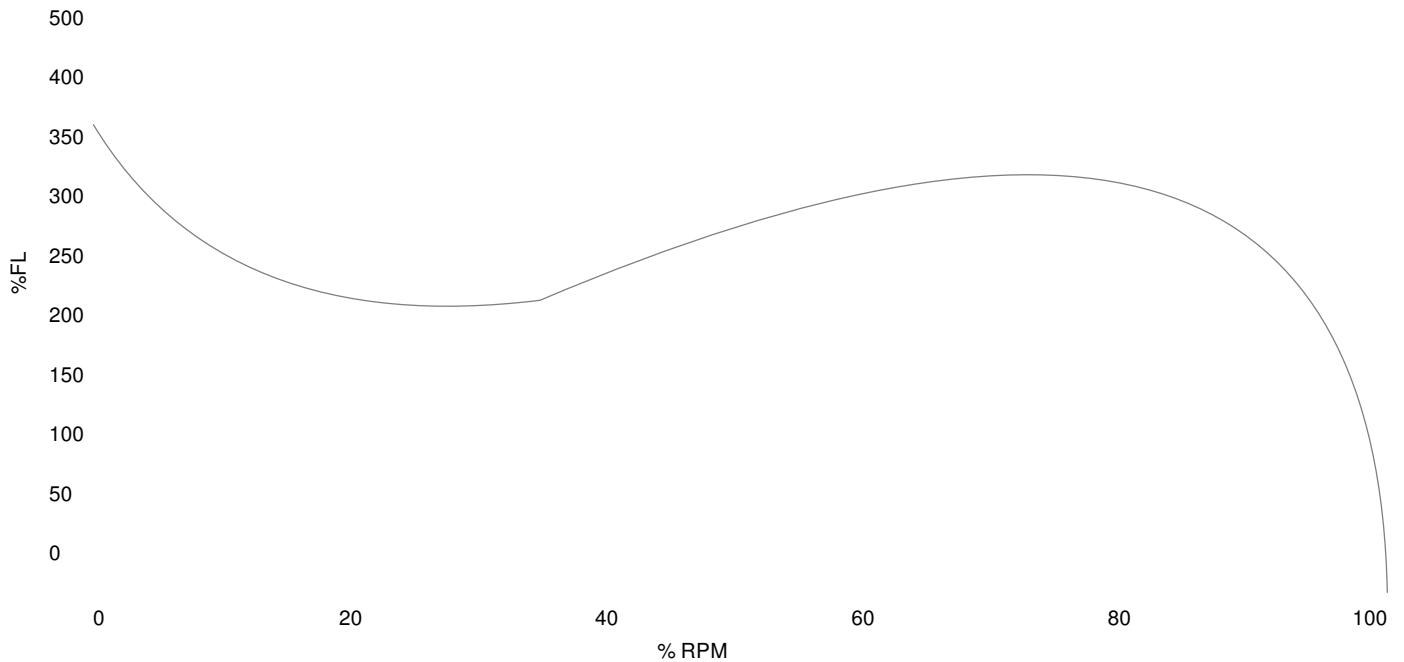
Farm Duty

NEMA

MOTOR MODEL:	RD1-RS-TF-215TC-4-B-B-10
FACTORY TYPE:	SLF

NEMA Rolled Steel, TEFC

Torque Speed (T-n) Curve



Performance Load Values, High Voltage, 60Hz

Torque Values	Torque lb-ft	% FLT	Performance Values
Locked Rotor Torque	108.962	362.0	Start Configuration
Pull-Up Torque	58.9958	196.0	Starting Current (A)
Breakdown Torque	68.0258	226.0	No-Load Current (A)
Full Load	30.0999	100.0	No-Load Power Factor

% Load	Horsepower	Current, Amps	Input power, Kilowatts	Speed, RPM	Efficiency	PF
0	-	-	-	-	-	-
25	-	-	-	-	-	-
50	-	-	-	-	-	-
75	-	-	-	-	-	-
100	-	-	-	-	-	-
125	-	-	-	-	-	-

Techtop Industries
 2815 Colonnades Court
 Peachtree Corners, GA 30071
 Tel: 678-436-5540
 E-Mail: info@techttopind.com



Farm Duty
NEMA

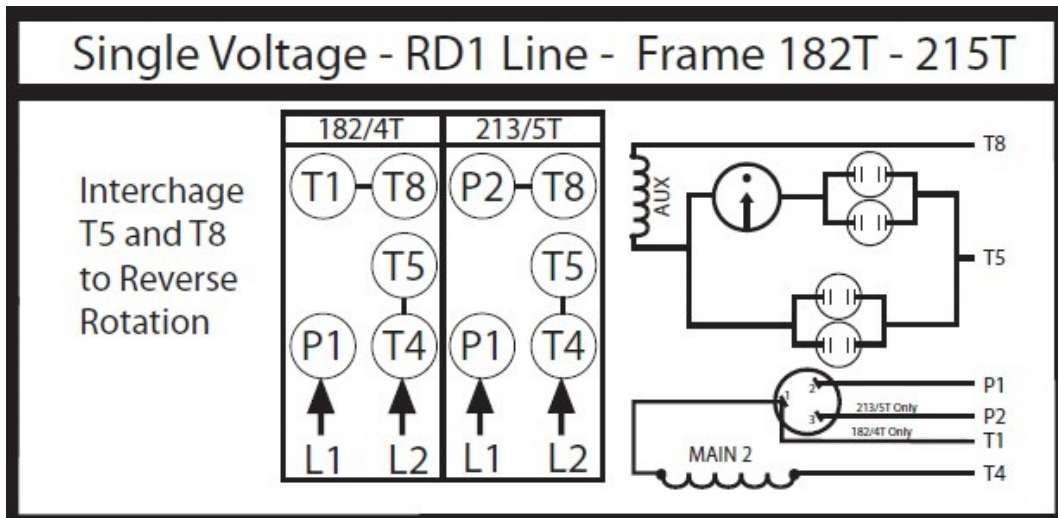
MOTOR MODEL:	RD1-RS-TF-215TC-4-B-B-10
FACTORY TYPE:	SLF

NEMA Rolled Steel, TEFC



MOTOR MODEL:	RD1-RS-TF-215TC-4-B-B-10
FACTORY TYPE:	SLF

NEMA Rolled Steel, TEFC



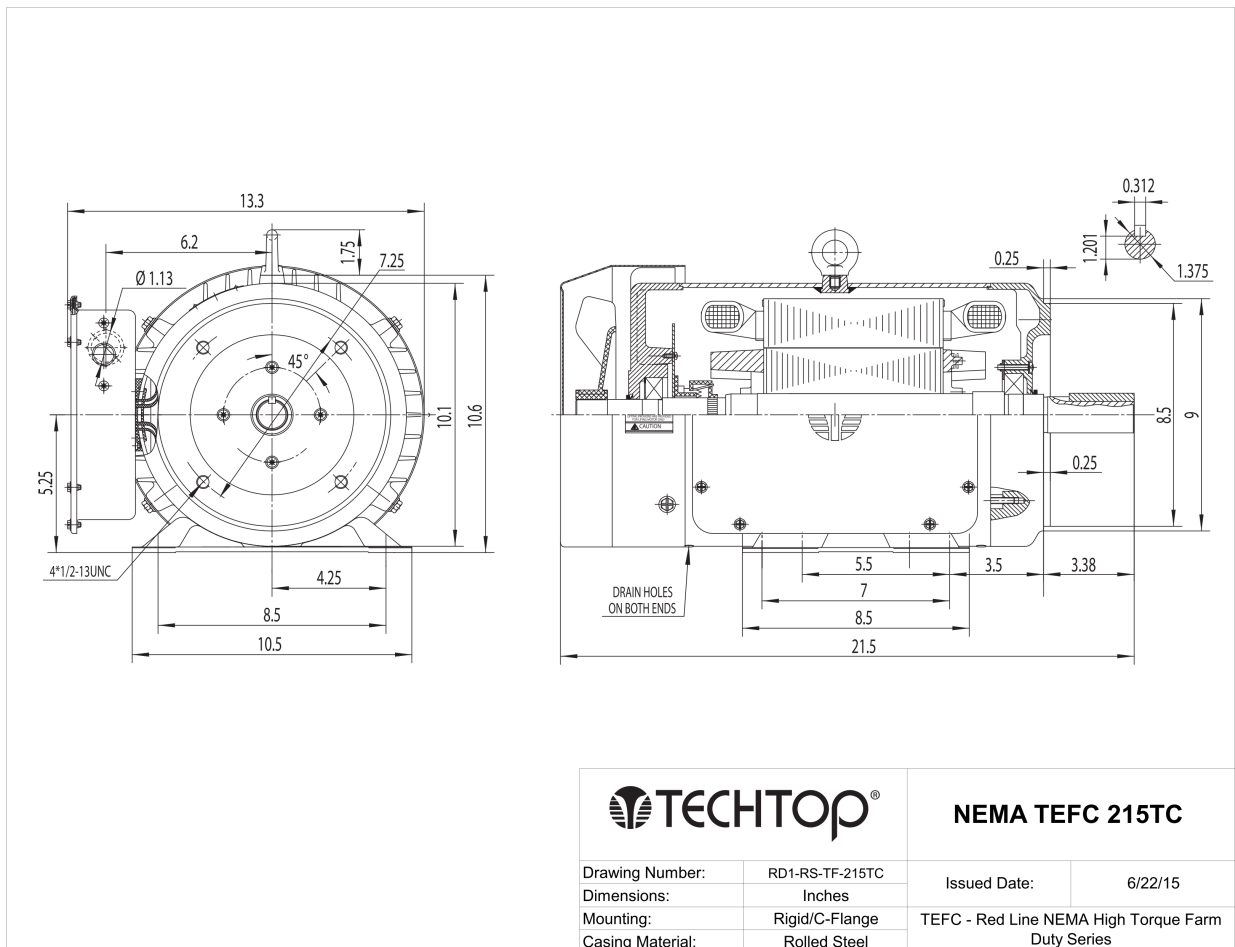


Farm Duty

NEMA

MOTOR MODEL:	RD1-RS-TF-215TC-4-B-B-10
FACTORY TYPE:	SLF

NEMA Rolled Steel, TEFC



Techtop Industries
 2815 Colonnades Court
 Peachtree Corners, GA 30071
 Tel: 678-436-5540
 E-Mail: info@techttopind.com