

| | |
|----------------------|--------------------------|
| MOTOR MODEL: | WX3-AL-TF-215TC-2-B-D-15 |
| FACTORY TYPE: | TXA |

Premium NEMA Cast Aluminum, TEFC

| ELECTRICAL DATA | | |
|------------------------------|--------------|-----------|
| | 60 Hz | 50 Hz |
| Horsepower | 15.0 | 15.0 |
| Speed, RPM | 3530 | 2910 |
| Voltage | 230/460 | 190/380 |
| # Phase | 3 | |
| Full Load Amps | 33.0/16.5 | 38.6/19.3 |
| Power Factor | 0.92 | - |
| Nominal Efficiency | 91.0 | 90.5 |
| Service Factor | 1.25 | 1.0 |
| KVA Code | L | H |
| FL Amps. @ 208 V | 35.6 | - |
| LRC @ 60Hz HV | 186.53 | - |
| Start Capacitor | - | |
| Start Capacitor V | - | |
| Run Capacitor | - | |
| Run Capacitor V | - | |
| Number of Leads | 9 | |
| Connection | YY/Y | |
| Coil Resistance | - | |
| Date Code | - | |
| | | |
| Load | Efficiency % | P.F. |
| 50% | 92.22 | 0.83 |
| 75% | 92.77 | 0.9 |
| 100% | 92.38 | 0.92 |
| FULL LOAD TEMPERATURE RISE | | |
| FL Temp Rise °C | 53.4 | 54.0 |
| | | |
| 3D Image Link | | |
| Not available for this motor | | |

| GENERAL DATA | | |
|--|----------------|-------|
| Frame Size | 215TC | |
| Frame Enclosure | TEFC | |
| Mounting | Rigid/C-Flange | |
| Insulation Class | F | |
| Duty | Cont. / S1 | |
| NEMA Design | A | |
| Frame Material | Cast Aluminum | |
| Ingress Protection | 56 | |
| Tropicalization | true | |
| Cable Entry | 1-NPT 1" | |
| Feet Removable | true | |
| Double Drilled | - | |
| Paint Color | - | |
| Paint RAL | - | |
| Weight lb | 135.0 | |
| | | |
| MECHANICAL DATA | | |
| DE Bearing | 6308ZZ | |
| NDE Bearing | 6208ZZ | |
| dB No-Load | - | |
| Rotor Wk ² , Lb-Ft ² | - | |
| Comp Ring (wavy washer) | - | |
| | | |
| TORQUE VALUES | | % FLT |
| Locked Rotor Torque | 78.6506 | 357.0 |
| Pull-Up Torque | 17.1842 | 78.0 |
| Breakdown Torque | 103.986 | 472.0 |
| Full Load Torque | 22.031 | 100.0 |
| | | |
| SITE CONDITIONS | | |
| Ambient Temp °C | 40 | |
| Altitude Above Sea Level m | 1000 | |

*This report valid for above Date Code and newer models, please contact Techtop for more info.



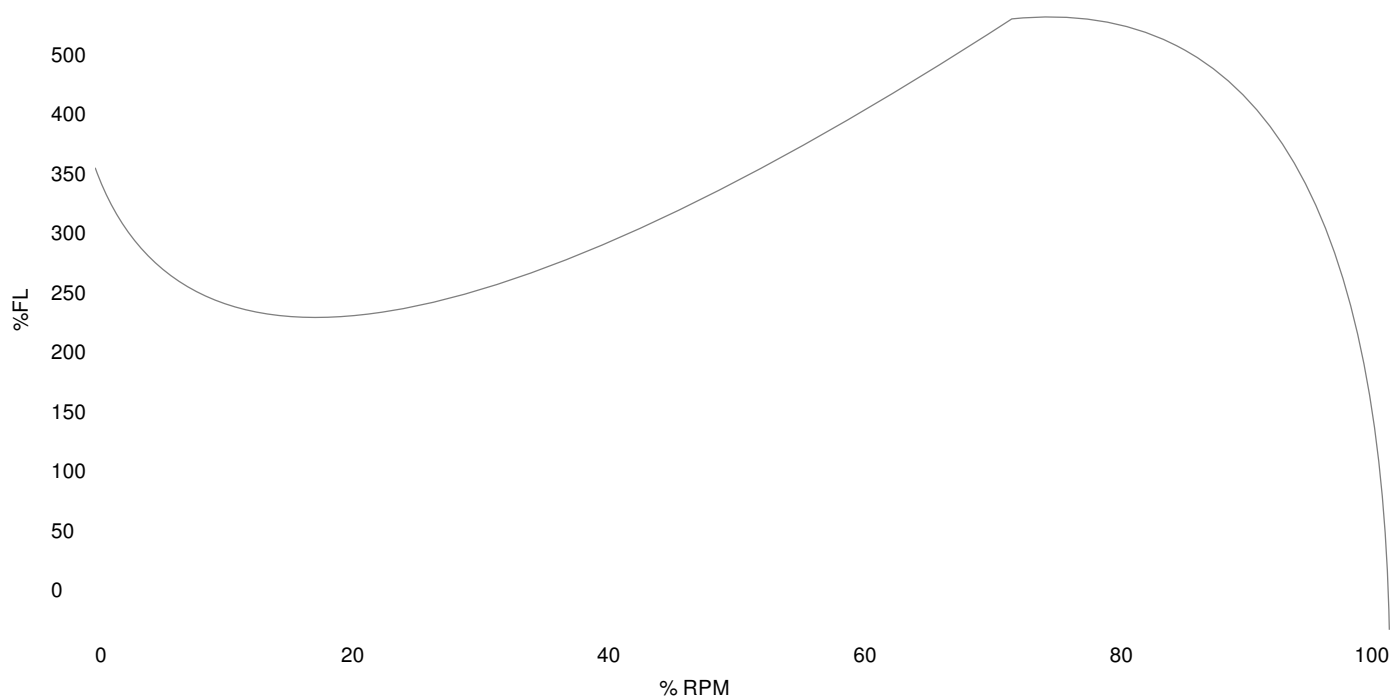
Washdown

NEMA

| | |
|----------------------|--------------------------|
| MOTOR MODEL: | WX3-AL-TF-215TC-2-B-D-15 |
| FACTORY TYPE: | TXA |

Premium NEMA Cast Aluminum, TEFC

Torque Speed (T-n) Curve



Performance Load Values, High Voltage, 60Hz

| Torque Values | Torque lb-ft | % FLT | Performance Values |
|---------------------|--------------|-------|----------------------|
| Locked Rotor Torque | 78.6506 | 357.0 | Start Configuration |
| Pull-Up Torque | 17.1842 | 78.0 | Starting Current (A) |
| Breakdown Torque | 103.986 | 472.0 | No-Load Current (A) |
| Full Load | 22.031 | 100.0 | No-Load Power Factor |

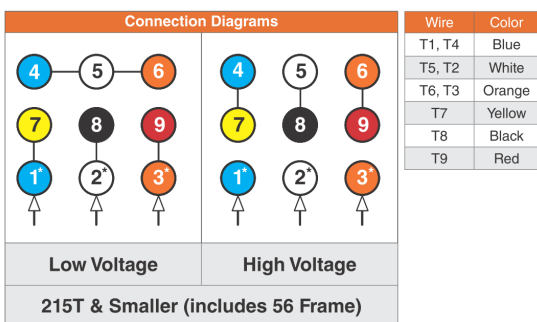
| % Load | Horsepower | Current, Amps | Input power, Kilowatts | Speed, RPM | Efficiency | PF |
|--------|------------|---------------|------------------------|------------|------------|------|
| 0 | - | 4.59 | - | - | - | - |
| 25 | 3.75 | 6.03 | 3.1084 | 3582.8 | 88.47 | 0.65 |
| 50 | 7.5 | 8.99 | 5.9639 | 3566.3 | 92.22 | 0.83 |
| 75 | 11.25 | 12.42 | 8.893 | 3548.7 | 92.77 | 0.9 |
| 100 | 15.0 | 16.22 | 11.907 | 3530.0 | 92.38 | 0.92 |
| 125 | 18.75 | 20.26 | 15.013 | 3510.1 | 91.59 | 0.93 |

Techtop Industries
 2815 Colonnades Court
 Peachtree Corners, GA 30071
 Tel: 678-436-5540
 E-Mail: info@techttopind.com

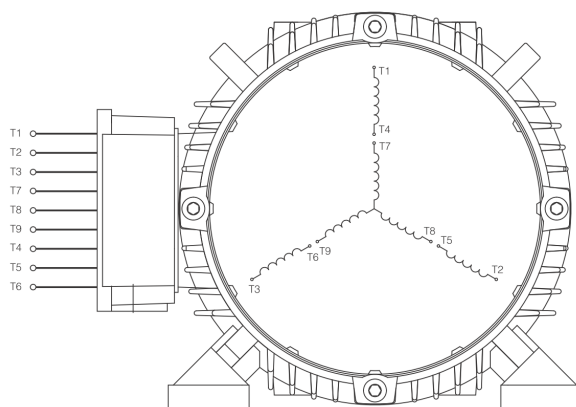
| | |
|----------------------|--------------------------|
| MOTOR MODEL: | WX3-AL-TF-215TC-2-B-D-15 |
| FACTORY TYPE: | TXA |

Premium NEMA Cast Aluminum, TEFC

3 Phase NEMA YY/Y 9 Lead 230/460V



When motor is in F1 position, leads shown with "*" exit the casing above the center line of the motor, the remaining leads exit below the center line. This information can be used to identify missing or mislabelled leads.



| | |
|----------------------|--------------------------|
| MOTOR MODEL: | WX3-AL-TF-215TC-2-B-D-15 |
| FACTORY TYPE: | TXA |

Premium NEMA Cast Aluminum, TEFC

